

# WideTEK<sup>®</sup>

## Legal Information

### Legal Information US & Canada

### Rechtliche Informationen

### Información Legal

### Informations juridiques

### Informazioni legali

### Informacje prawne

### Právní informace

### Juridiske oplysninger

<b>Title</b>	Legal Information		
<b>Products</b>	<a href="#">WT36-600</a>	<a href="#">WT44-600</a>	<a href="#">WT48-600</a>
<b>Chassis</b>	<a href="#">D</a>	<a href="#">D</a>	<a href="#">D</a>
<b>Revision</b>	2.0		
<b>Date:</b>	05.02.2021		

## Declaration of Conformity (EU)

According to ISO/IEC 17050-1 and EN 17050-1

### The manufacturer

<b>Manufacturer</b>	Image Access GmbH, Wuppertal, Germany
---------------------	---------------------------------------

### declares that the product

<b>Product</b>	WideTEK 36, WideTEK 44, WideTEK 48
<b>Model designation</b>	WT36-***, WT44-***, WT48-***

### conforms to the following regulations

<b>Safety</b>	IEC/EN 62368-1:2014 Ed.2, AUS/NZL 62368-1:2014 Ed.2
	UL 62368-1:2014 Ed.2, CSA 62368-1:2014 Ed.2
<b>EMC</b>	EN 55032:2015 (B), CISPR32, EN 55024:2010 + A1:2015, CISPR24
	EN 61000-3-2:2014, EN 61000-3-3:2013, FCC CFR 47 Part 15 (B)
<b>RoHS</b>	Directive 2011/65/EU (RoHS 2), SJ/T 11364 (China RoHS), India E-waste Rule 2011
<b>Efficiency</b>	DOE Level VI / CEC Level VI / Eco-design Directive 2009/125/EC, (EU) 2019/1782

The product herewith complies with the requirements of the Low Voltage Directive 2014/35/EU, the EMC Directive 2014/30/EU, the RoHS Directive 2011/65/EU and carries the CE marking accordingly. In addition, it complies with the WEEE Directive 2012/19/EU.

July 2020, Image Access GmbH, Germany

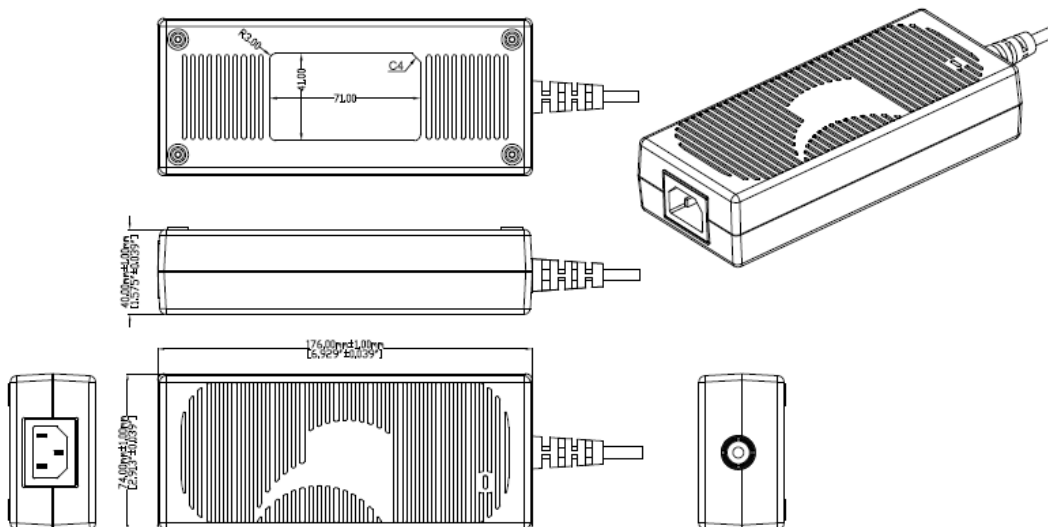


Thomas Ingendoh, CEO

## External Power Supply

### Medical / ITE / Household Power Supply

<b>Part Number</b>	<b>TR9CI7500YL4CIMR6B</b>
<b>Manufacturer</b>	GlobTek, Inc,
<b>Regulatory Model</b>	GTM961800P
<b>Type</b>	Regulated Switchmode AC/DC Power Supply AC Adaptor
<b>Category</b>	Medical/ITE/Household use Power Supply
<b>Input Voltage Range</b>	100 – 240V~, 50-60Hz
<b>Max. Input Current</b>	2,2A
<b>Input Connector</b>	IEC 60320/C14
<b>Output Voltage</b>	24VDC, 7,5A
<b>Max. Output Power Rating</b>	180W, Power rating with convection cooling.
<b>Output Connector</b>	KPPX-4P, Pin 1,4 -> 24V, Pin 2,3 -> GND, Shell -> AC Earth
<b>Efficiency</b>	DOE Level VI / CEC Level VI / Eco-design Directive 2009/125/EC, (EU) 2019/1782
<b>Protection</b>	IP41
<b>Size</b>	176.5*74*40mm
<b>Ambient Temperature</b>	0 – 40°,
<b>Approvals</b>	cETLus 60601-1-11; cETLus 60950-1; cETLus 60601-1 3rd; CB 60601-1-11; CB 60601-1; cETLus; S-Mark IEC/EN 60601-1; WEEE; Ukraine; PSE; VCCI; Level VI; China RoHS; CE; EAC; Class I; RoHS; CB 60950; CB 60335; CCC; CB 62368; S-Mark 60950;
<b>Agency Documents</b>	<a href="http://www.globtek.info/certs/GTM961800P/">www.globtek.info/certs/GTM961800P/</a>



## Regulatory Statements Ecological

### Lithium Battery

This product contains a lithium battery located on an internal motherboard. The battery is used to maintain data integrity of real-time clock and the BIOS settings and is designed to last the life of the product. Any attempt to service or replace this battery should be performed by a qualified service technician. The battery may require special handling at the end of its life.



### Disposal of Waste Equipment by Users

This symbol means do not dispose of your product with your other household waste. Instead, you should protect human health and the environment by handing over your waste equipment to a designated collection point for the recycling of waste electrical.



### Cleaning Procedures

Use a damp microfiber cloth to clean all non-electric parts of the products. Metal parts and glass plates can be cleaned using a standard glass cleaner. Do not use alcohol, ethanol or any other organic solvents since they may destroy the surface of the product.

### RoHS Declaration

This product complies with the **Restriction of Hazardous Substances Directive 2011/65/EU (RoHS 2)** and prohibits use of lead, mercury, hexavalent chromium, polybrominated biphenyls or polybrominated diphenyl ethers in concentrations exceeding 0.1 weight % and 0.01 weight % for cadmium.



### Quality Management System

The Quality Management System of Image Access GmbH, Wuppertal, Germany has been assessed and registered by Intertek Certification GmbH as conforming to the requirements of DIN EN ISO 9001:2015. The Quality Management System is applicable to the Design, Manufacturing and Sales of Scanner and Scanner Components.



### Open Source Acknowledgments

This product includes software published by the Apache Software Foundation [www.apache.org](http://www.apache.org)

This product includes software published by the Open Source Initiative. [www.opensource.org](http://www.opensource.org)

This product includes software published by the Free Software Foundation [www.gnu.org/licenses/gpl.html](http://www.gnu.org/licenses/gpl.html)

This product is based in part on the work of the Independent JPEG Group. [www.jpeg.org](http://www.jpeg.org)

In accordance with the GNU General Public License and all other used software licenses, Image Access is providing you with this written offer to receive on a CD-R, at the cost of \$50, a complete machine-readable copy of the source code of all licensed software used in this product. You can request this CD-R from your local Image Access representative.

# WideTEK<sup>®</sup>

## Legal Information US & Canada

<b>Title</b>	Legal Information US & Canada		
<b>Products</b>	<b>WT36-600</b>	<b>WT44-600</b>	<b>WT48-600</b>
<b>Chassis</b>	<b>D</b>	<b>D</b>	<b>D</b>
<b>Revision</b>	2.0		
<b>Date:</b>	02/05/2021		

## Declaration of Conformity (EU)

According to ISO/IEC 17050-1 and EN 17050-1

### The manufacturer

<b>Manufacturer</b>	Image Access GmbH, Wuppertal, Germany
---------------------	---------------------------------------

### declares that the product

<b>Product</b>	WideTEK 36, WideTEK 44, WideTEK 48
<b>Model designation</b>	WT36-***, WT44-***, WT48-***

### conforms to the following regulations

<b>Safety</b>	IEC/EN 62368-1:2014 Ed.2, AUS/NZL 62368-1:2014 Ed.2
	UL 62368-1:2014 Ed.2, CSA 62368-1:2014 Ed.2
<b>EMC</b>	EN 55032:2015 (B), CISPR32, EN 55024:2010 + A1:2015, CISPR24
	EN 61000-3-2:2014, EN 61000-3-3:2013, FCC CFR 47 Part 15 (B)
<b>RoHS</b>	Directive 2011/65/EU (RoHS 2), SJ/T 11364 (China RoHS), India E-waste Rule 2011
<b>Efficiency</b>	DOE Level VI / CEC Level VI / Eco-design Directive 2009/125/EC, (EU) 2019/1782

The product herewith complies with the requirements of the Low Voltage Directive 2014/35/EU, the EMC Directive 2014/30/EU, the RoHS Directive 2011/65/EU and carries the **CE** marking accordingly. In addition, it complies with the WEEE Directive 2012/19/EU.

This device complies with part 15 of the FCC Rules. Operation is subject to the following two conditions:

- (1) This device may not cause harmful interference, and
- (2) This device must accept any interference received, including interference that may cause undesired operation.

July 2020, Image Access GmbH, Germany



Thomas Ingendoh, CEO

## Electromagnetic Compatibility (EMC)

### FCC Statements (USA)

The U.S. Federal Communications Commission (in 47 cfr15.105) has specified that the following notices be brought to the attention of users of this product.

This device complies with part 15 of the FCC rules. Operation is subject to the following two conditions:

- (1) this device may not cause harmful interference, and
- (2) this device must accept any interference received, including interference that may cause undesired operation.

**Modifications (part 15.21):** The FCC requires the user to be notified that any changes or modifications made to this device that are not expressly approved by Image Access may void the user's authority to operate the equipment.

**Shielded cables:** use of shielded data cables is required to comply with the Class A limits of Part 15 of the FCC Rules.

**Note:** This equipment has been tested and found to comply with the limits for a Class A digital device, pursuant to part 15 of the FCC Rules. These limits are designed to provide reasonable protection against harmful interference when the equipment is operated in a commercial environment. This equipment generates, uses, and can radiate radio frequency energy and, if not installed and used in accordance with the instructions, may cause harmful interference to radio communications. Operation of this equipment in a residential area is likely to cause harmful interference, in which case users will be required to correct the interference at their own expense.

### DOC Statements (Canada)

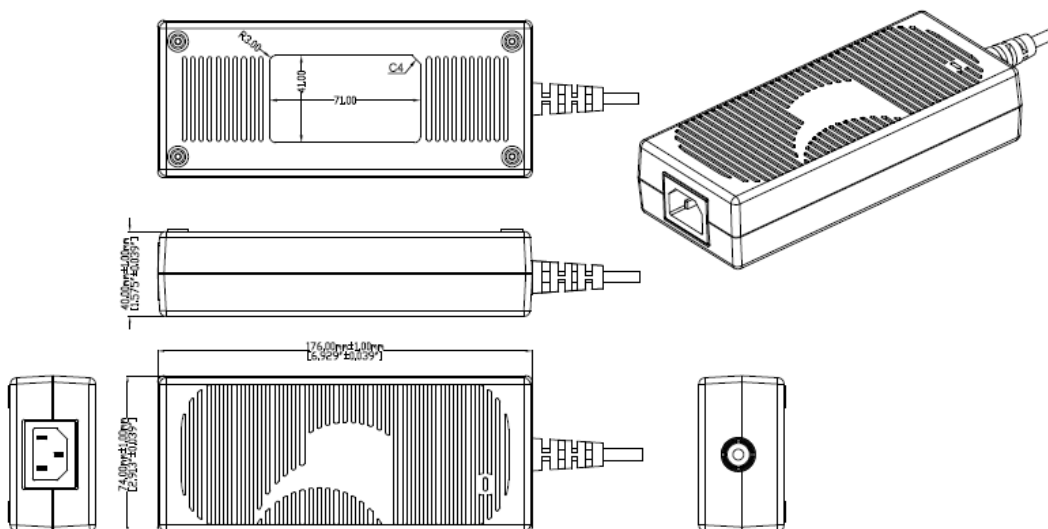
This digital apparatus does not exceed the Class A limits for radio noise emissions from digital apparatus set out in the Radio Interference Regulations of the Canadian Department of Communications.

Le présent appareil numérique n'émet pas de bruits radioélectriques dépassant les limites applicables aux appareils numériques de Classe A prescrites dans le règlement sur le brouillage radioélectrique édicté par le Ministère des Communications du Canada.

## External Power Supply

### Medical / ITE / Household Power Supply

<b>Part Number</b>	<b>TR9CI7500YL4CIMR6B</b>
<b>Manufacturer</b>	GlobTek, Inc,
<b>Regulatory Model</b>	GTM961800P
<b>Type</b>	Regulated Switchmode AC/DC Power Supply AC Adaptor
<b>Category</b>	Medical/ITE/Household use Power Supply
<b>Input Voltage Range</b>	100 – 240V~, 50-60Hz
<b>Max. Input Current</b>	2,2A
<b>Input Connector</b>	IEC 60320/C14
<b>Output Voltage</b>	24VDC, 7,5A
<b>Max. Output Power Rating</b>	180W, Power rating with convection cooling.
<b>Output Connector</b>	KPPX-4P, Pin 1,4 -> 24V, Pin 2,3 -> GND, Shell -> AC Earth
<b>Efficiency</b>	DOE Level VI / CEC Level VI / Eco-design Directive 2009/125/EC, (EU) 2019/1782
<b>Protection</b>	IP41
<b>Size</b>	176.5*74*40mm
<b>Ambient Temperature</b>	0 – 40°,
<b>Approvals</b>	cETLus 60601-1-11; cETLus 60950-1; cETLus 60601-1 3rd; CB 60601-1-11; CB 60601-1; cETLus; S-Mark IEC/EN 60601-1; WEEE; Ukraine; PSE; VCCI; Level VI; China RoHS; CE; EAC; Class I; RoHS; CB 60950; CB 60335; CCC; CB 62368; S-Mark 60950;
<b>Agency Documents</b>	<a href="http://www.globtek.info/certs/GTM961800P/">www.globtek.info/certs/GTM961800P/</a>





## Regulatory Statements Ecological

### Lithium Battery

This product contains a lithium battery located on an internal motherboard. The battery is used to maintain data integrity of real-time clock and the BIOS settings and is designed to last the life of the product. Any attempt to service or replace this battery should be performed by a qualified service technician. The battery may require special handling at the end of its life.



### Disposal of Waste Equipment by Users

This symbol means do not dispose of your product with your other household waste. Instead, you should protect human health and the environment by handing over your waste equipment to a designated collection point for the recycling of waste electrical.



### Cleaning Procedures

Use a damp microfiber cloth to clean all non-electric parts of the products. Metal parts and glass plates can be cleaned using a standard glass cleaner. Do not use alcohol, ethanol or any other organic solvents since they may destroy the surface of the product.

### RoHS Declaration

This product complies with the **Restriction of Hazardous Substances Directive 2011/65/EU (RoHS 2)** and prohibits use of lead, mercury, hexavalent chromium, polybrominated biphenyls or polybrominated diphenyl ethers in concentrations exceeding 0.1 weight % and 0.01 weight % for cadmium.



### Quality Management System

The Quality Management System of Image Access GmbH, Wuppertal, Germany has been assessed and registered by Intertek Certification GmbH as conforming to the requirements of DIN EN ISO 9001:2015. The Quality Management System is applicable to the Design, Manufacturing and Sales of Scanner and Scanner Components.



### Open Source Acknowledgments

This product includes software published by the Apache Software Foundation [www.apache.org](http://www.apache.org)

This product includes software published by the Open Source Initiative. [www.opensource.org](http://www.opensource.org)

This product includes software published by the Free Software Foundation [www.gnu.org/licenses/gpl.html](http://www.gnu.org/licenses/gpl.html)

This product is based in part on the work of the Independent JPEG Group. [www.jpeg.org](http://www.jpeg.org)

In accordance with the GNU General Public License and all other used software licenses, Image Access is providing you with this written offer to receive on a CD-R, at the cost of \$50, a complete machine-readable copy of the source code of all licensed software used in this product. You can request this CD-R from your local Image Access representative.



# WideTEK<sup>®</sup>

## Rechtliche Informationen

### Deutsch

<b>Titel</b>	Rechtliche Informationen		
<b>Produkt</b>	<b>WT36-600</b>	<b>WT44-600</b>	<b>WT48-600</b>
<b>Chassis</b>	<b>D</b>	<b>D</b>	<b>D</b>
<b>Revision</b>	2.0		
<b>Datum:</b>	05.02.2021		

## Konformitätserklärung (EU)

Nach ISO/IEC 17050-1 und EN 17050-1

### Der Hersteller

<b>Hersteller</b>	Image Access GmbH, Wuppertal, Deutschland
-------------------	---

### erklärt, dass das Produkt

<b>Produkt</b>	WideTEK 36, WideTEK 44, WideTEK 48
<b>Model</b>	WT36-***, WT44-***, WT48-***

### die folgenden Produktspezifikationen und Vorschriften erfüllt

<b>Sicherheit</b>	IEC/EN 62368-1:2014 Ed.2, AUS/NZL 62368-1:2014 Ed.2
	UL 62368-1:2014 Ed.2, CSA 62368-1:2014 Ed.2
<b>EMV</b>	EN 55032:2015 (B), CISPR32, EN 55024:2010 + A1:2015, CISPR24
	EN 61000-3-2:2014, EN 61000-3-3:2013, FCC CFR 47 Part 15 (B)
<b>RoHS</b>	Directive 2011/65/EU (RoHS 2), SJ/T 11364 (China RoHS), India E-waste Rule 2011
<b>Wirkungsgrad</b>	DOE Level VI / CEC Level VI / Eco-design Directive 2009/125/EC, (EU) 2019/1782

Hiermit wird bestätigt, dass das Produkt die Anforderungen der Niederspannungsrichtlinie 2014/35/EU, der EMV-Richtlinie 2014/30/EU, sowie die 2011/65/EU erfüllt und dementsprechend mit dem **CE** Kennzeichen gekennzeichnet wurde. Darüber hinaus entspricht es der WEEE-Richtlinie 2012/19/EU.

Juni 2020, Image Access GmbH, Wuppertal

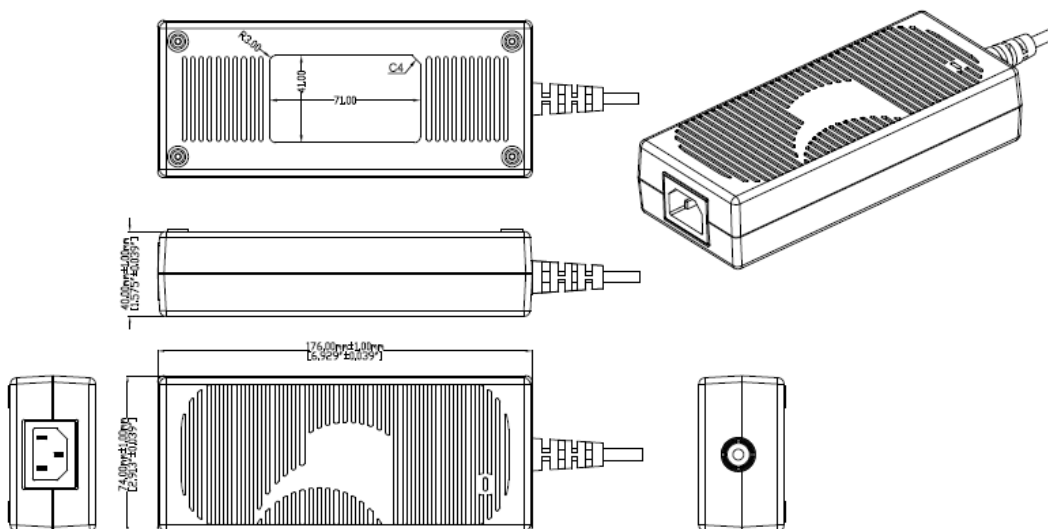


Thomas Ingendoh, CEO

## Externes Netzgerät

### Netzgerät für Medizin / ITE / Haushalt

<b>Teile Nummer</b>	<b>TR9CI7500YL4CIMR6B</b>
<b>Herstellerr</b>	GlobTek, Inc,
<b>Model für Zulassungen</b>	GMTM961600P18024-T3
<b>Typ</b>	AC/DC geregeltes Schaltnetzteil
<b>Kategorie</b>	Netzgerät für Medizin/ITE/Haushalt
<b>Eingangsspannungsbereich</b>	100 – 240V~, 50-60Hz
<b>Max. Eingangsstrom</b>	2,2A
<b>Eingangsstecker</b>	IEC 60320/C14
<b>Ausgangsspannung</b>	24VDC, 7,5A
<b>Max. Ausgangsleistung</b>	180W, Power rating with convection cooling.
<b>Ausgangsstecker</b>	KPPX-4P, Pin 1,4 -> 24V, Pin 2,3 -> GND, Gehäuse -> AC Erde
<b>Effizienz</b>	DOE Level VI / CEC Level VI / Eco-design Directive 2009/125/EC, (EU) 2019/1782
<b>Schutzklasse</b>	IP41
<b>Abmessungen</b>	176.5*74*40mm
<b>Ambient Temperature</b>	0 – 40°,
<b>Zulassungen</b>	cETLus 60601-1-11; cETLus 60950-1; cETLus 60601-1 3rd; CB 60601-1-11; CB 60601-1; cETLus; S-Mark IEC/EN 60601-1; WEEE; Ukraine; PSE; VCCI; Level VI; China RoHS; CE; EAC; Class I; RoHS; CB 60950; CB 60335; CCC; CB 62368; S-Mark 60950;
<b>Zulassungsdokumente</b>	<a href="http://www.globtek.info/certs/GTM961800P/">www.globtek.info/certs/GTM961800P/</a>



## Zulassungsvorschriften Umwelt

### Lithium Batterie

Dieses Produkt enthält eine Batterie, die sich auf dem internen Motherboard befindet. Die Batterie stellt die Datenintegrität der Echtzeituhr und der BIOS Einstellungen sicher. Die Batteriekapazität reicht in der Regel für die Lebensdauer des Gerätes aus. Diese Batterie darf nur von einem qualifizierten Servicetechniker ausgetauscht werden. Eine leere Lithium-Batterie muss gesondert entsorgt werden.



### Entsorgung von Altgeräten durch Verbraucher

Dieses Symbol zeigt an, dass Sie das Produkt nicht mit anderem Abfall im Hausmüll entsorgen dürfen. Aus gesundheitlichen Gründen und zum Schutz der Umwelt sollten Sie die Altgeräte stattdessen an einer Rücknahmestelle für Elektro- und Elektronik-Altgeräte abgeben.



### Reinigen des Gerätes

Benutzen Sie ein nebelfeuchtes Mikrofibertuch um alle nicht-elektrischen Teile des Gerätes zu reinigen. Metallteile sowie die Glasplatten können auch mit einem handelsüblichen Glasreiniger gereinigt werden. Benutzen Sie keinen Alkohol, Ethanol oder andere organische Lösungsmittel, da diese die Oberflächen des Produktes angreifen können.

### RoHS Deklaration

Dieses Produkt ist in Übereinstimmung mit der **Restriction of Hazardous Substances Directive 2011/65/EU (RoHS 2)**, **Beschränkung (der Verwendung bestimmter, gefährlicher Stoffe)** und verbietet den Einsatz von Blei, Quecksilber, sechswertigem Chrom, polybromierten Biphenylen, polybromierten Diphenylethern in Konzentrationen über 0,1% Gewichtsprozent und Cadmium in Konzentrationen über 0,01% Gewichtsprozent.



### Qualitätsmanagementsystem

Das Qualitätsmanagementsystem der Image Access GmbH, Wuppertal, Deutschland wurde durch Intertek Certification GmbH auditert und zertifiziert in Bezug auf die Anforderungen der DIN EN ISO 9001:2015. Der Geltungsbereich des Qualitätsmanagementsystems umfasst Entwicklung, Herstellung und Vertrieb von Scannern und Baugruppen für Scanner.

**Intertek**

### Open-Source Anerkennnisse

Dieses Produkt enthält Software, die veröffentlicht wurde von der Apache Software Foundation [www.apache.org](http://www.apache.org)

Dieses Produkt enthält Software, die veröffentlicht wurde von der Open Source Initiative. [www.opensource.org](http://www.opensource.org)

Dieses Produkt enthält Software, die veröffentlicht wurde von der Free Software Foundation

[www.gnu.org/licenses/gpl.html](http://www.gnu.org/licenses/gpl.html)

Dieses Produkt basiert teilweise auf der Arbeit der Independent JPEG Group. [www.jpeg.org](http://www.jpeg.org)

In Übereinstimmung mit der allgemeinen öffentlichen GNU-Lizenz (GNU General Public License) und allen weiteren verwendeten Softwarelizenzen macht Ihnen Image Access dieses schriftliche Angebot, gegen eine Gebühr von € 50 eine CD-R mit einer maschinenlesbaren Kopie des Quellcodes der gesamten Programmkomponenten zu beziehen, die unter der jeweiligen Lizenz in der Software der Produkte benutzt wurde. Sie können diese CD-R bei Ihrem lokalen Image Access Händler anfordern.

# WideTEK<sup>®</sup>

## Información Legal

### Español

<b>Título</b>	Información legal		
<b>Productos</b>	<b>WT36-600</b>	<b>WT44-600</b>	<b>WT48-600</b>
<b>Chasis</b>	<b>D</b>	<b>D</b>	<b>D</b>
<b>Revisión</b>	2.0		
<b>Fecha:</b>	05.02.2021		

## Declaración de Conformidad (UE)

Según ISO/IEC 17050-1 y EN 17050-1

### El Fabricante

<b>Fabricante</b>	Image Access GmbH, Wuppertal, Alemania
-------------------	--

### Declara que el producto

<b>Producto</b>	WideTEK 36, WideTEK 44, WideTEK 48
<b>Designación del modelo</b>	WT36-***, WT44-***, WT48-***

### Se ajusta a la siguiente regulación

<b>Seguridad</b>	IEC/EN 62368-1:2014 Ed. 2, AUS/NZL 62368-1:2014 Ed. 2
	UL 62368-1:2014 Ed. 2, CSA 62368-1:2014 Ed. 2
<b>EMC</b>	EN 55032:2015 (B), CISPR32, EN 55024:2010 + A1:2015, CISPR24
	EN 61000-3-2:2014, EN 61000-3-3:2013, FCC CFR 47 Parte 15 (B)
<b>RoHS</b>	Directiva 2011/65/UE (RoHS 2), SJ/T 11364 (China RoHS), India E-waste Rule 2011
<b>Eficiencia</b>	DOE Nivel VI / CEC Nivel VI / Directiva de diseño ecológico 2009/125/CE, (UE) 2019/1782

El producto cumple con los requisitos de la Directiva de Bajo Voltaje 2014/35/UE, la Directiva CEM 2014/30/UE y la Directiva RoHS 2011/65/UE y lleva el marcado CE correspondiente. Además, cumple con la Directiva RAEE 2012/19/UE.

Julio de 2020, Image Access GmbH, Alemania



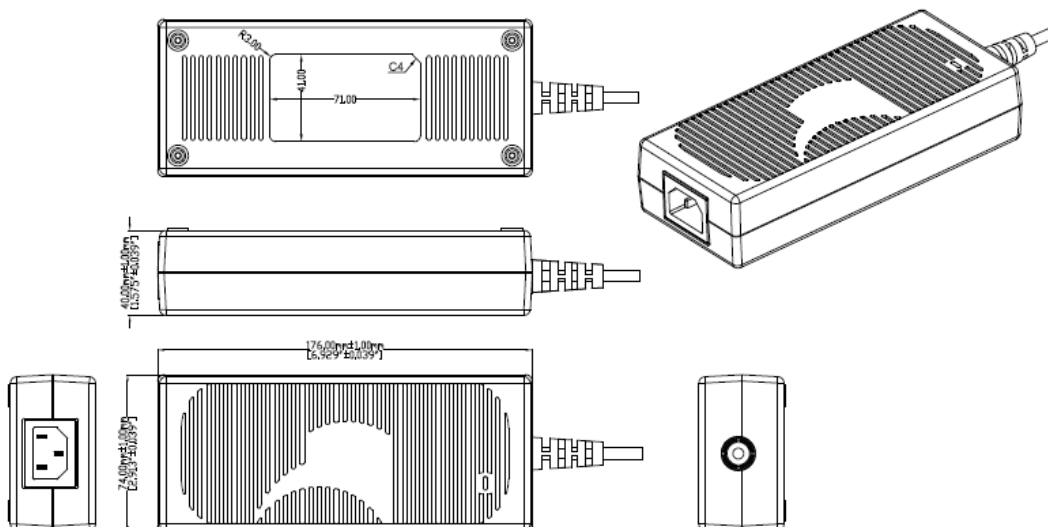
Thomas Ingenhoff, Director General



## Fuente de Alimentación Externa

### Alimentación médica / ITE / doméstica

<b>Número de Pieza</b>	<b>TR9CI7500YL4CIMR6B</b>
<b>Fabricante</b>	GlobTek, Inc,
<b>Modelo Normativo</b>	GTM961800P
<b>Tipo</b>	Fuente de alimentación conmutada regulada AC/DC Adaptador AC
<b>Categoría</b>	Uso médico/ITE/doméstico Fuente de alimentación
<b>Rango de Voltaje de Entrada</b>	100 - 240V~, 50-60Hz
<b>Máx. Corriente de Entrada</b>	2,2A
<b>Conector de Entrada</b>	IEC 60320/C14
<b>Voltaje de Salida</b>	24VDC, 7,5A
<b>Max. Potencia de Salida</b>	180W, Potencia nominal con refrigeración por convección.
<b>Conector de Salida</b>	KPPX-4P, Pin 1,4 -> 24V, Pin 2,3 -> GND, Shell -> AC Earth
<b>Eficiencia</b>	DOE Nivel VI / CEC Nivel VI / Directiva de diseño ecológico 2009/125/CE, (UE) 2019/1782
<b>Protección</b>	IP41
<b>Tamaño</b>	176,5*74*40mm
<b>Temperatura Ambiente</b>	0 – 40°,
<b>Homologaciones</b>	cETLus 60601-1-11; cETLus 60950-1; cETLus 60601-1 3rd; CB 60601-1-11; CB 60601-1; cETLus; S-Mark IEC/EN 60601-1; WEEE; Ucrania; PSE; VCCI; Nivel VI; China RoHS; CE; EAC; Clase I; RoHS; CB 60950; CB 60335; CCC; CB 62368; S-Mark 60950;
<b>Documentos de la Agencia</b>	<a href="http://www.globtek.info/certs/GTM961800P/">www.globtek.info/certs/GTM961800P/</a>



## Declaraciones Reglamentarias Ecológicas

### Batería de litio

Este producto contiene una batería de litio situada en una placa base interna. La batería se utiliza para mantener la integridad de los datos del reloj en tiempo real y la configuración de la BIOS y está diseñada para durar toda la vida del producto. Cualquier intento de reparar o sustituir esta batería debe ser realizado por un técnico de servicio cualificado. La batería puede requerir un manejo especial al final de su vida útil.



### Eliminación de residuos de equipos por parte de los usuarios

Este símbolo significa que no debe eliminar el producto con el resto de los residuos domésticos. En su lugar, debe proteger la salud humana y el medio ambiente entregando su equipo de desecho a un punto de recogida designado para el reciclaje de residuos eléctricos.



### Procedimientos de limpieza

Utilice un paño de microfibra húmedo para limpiar todas las partes que no son eléctricas de los productos. Las partes metálicas y las placas de vidrio pueden limpiarse con un limpiacristales estándar. No utilice alcohol, etanol ni ningún otro disolvente orgánico, ya que pueden destruir la superficie del producto.

### Declaración RoHS

Este producto cumple con la **Directiva de Restricción de Sustancias Peligrosas 2011/65/UE (RoHS 2)** y prohíbe el uso de plomo, mercurio, cromo hexavalente, bifenilos polibromados o éteres difenilos polibromados en concentraciones superiores al 0,1 % en peso y al 0,01 % en peso para el cadmio.



### Sistema de gestión de la calidad

El sistema de gestión de calidad de Image Access GmbH, Wuppertal, Alemania, ha sido evaluado y registrado por Intertek Certification GmbH como conforme a los requisitos de DIN EN ISO 9001:2015. El sistema de gestión de la calidad es aplicable al diseño, la fabricación y la venta de escáneres y componentes para escáneres.



### Agradecimientos al código abierto

Este producto incluye software publicado por la Apache Software Foundation [www.apache.org](http://www.apache.org)  
Este producto incluye software publicado por la Iniciativa de Código Abierto. [www.opensource.org](http://www.opensource.org)  
Este producto incluye software publicado por la Free Software Foundation [www.gnu.org/licenses/gpl.html](http://www.gnu.org/licenses/gpl.html)  
Este producto se basa en parte en el trabajo del Independent JPEG Group. [www.jpeg.org](http://www.jpeg.org)

De acuerdo con la Licencia Pública General de GNU y todas las demás licencias de software utilizadas, Image Access le ofrece por escrito la posibilidad de recibir en un CD-R, al precio de 50 dólares, una copia completa legible por máquina del código fuente de todo el software con licencia utilizado en este producto. Puede solicitar este CD-R a su representante local de Image Access.

# WideTEK<sup>®</sup>

## Informations juridiques Français

<b>Titre</b>	Informations juridiques		
<b>Produits</b>	<b>WT36-600</b>	<b>WT44-600</b>	<b>WT48-600</b>
<b>Chassis</b>	<b>D</b>	<b>D</b>	<b>D</b>
<b>Révision</b>	2.0		
<b>Date</b>	05.02.2021		

## Déclaration de conformité (EU)

Selon les normes ISO/IEC 17050-1 et EN 17050-1

### Le fabricant

<b>Fabricant</b>	Image Access GmbH, Wuppertal, Germany
------------------	---------------------------------------

### déclare que le produit

<b>Produit</b>	WideTEK 36, WideTEK 44, WideTEK 48
<b>Désignation du modèle</b>	WT36-***, WT44-***, WT48-***

### est conforme aux spécifications et réglementations suivantes

<b>Sécurité</b>	IEC/EN 62368-1:2014 Ed.2, AUS/NZL 62368-1:2014 Ed.2
	UL 62368-1:2014 Ed.2, CSA 62368-1:2014 Ed.2
<b>EMC</b>	EN 55032:2015 (B), CISPR32, EN 55024:2010 + A1:2015, CISPR24
	EN 61000-3-2:2014, EN 61000-3-3:2013, FCC CFR 47 Part 15 (B)
<b>RoHS</b>	Directive 2011/65/EU (RoHS 2), SJ/T 11364 (China RoHS), India E-waste Rule 2011
<b>Efficacité</b>	DOE Level VI / CEC Level VI / Eco-design Directive 2009/125/EC, (EU) 2019/1782

Il s'agit de certifier que le produit est conforme aux exigences de la directive basse tension 2014/35/UE, de la directive CEM 2014/30/UE, ainsi que de la directive 2011/65/UE et a été marqué en conséquence. En outre, il est conforme à la directive DEEE 2012/19/UE.

Juillet 2021, Image Access GmbH, Allemagne

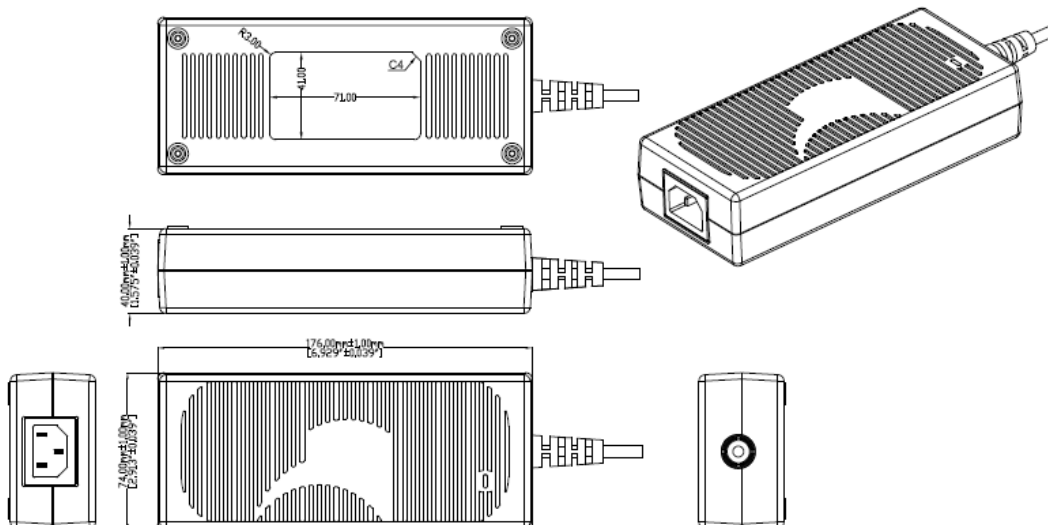


Thomas Ingendoh, CEO

## Alimentation électrique externe

### Unité d'alimentation électrique pour les appareils médicaux / ITE / le logement

<b>Numéro de pièce</b>	<b>TR9CI7500YL4CIMR6B</b>
<b>Fabricant</b>	GlobTek, Inc,
<b>Modèle de réglementation</b>	GTM961800P
<b>Type</b>	Alimentation à découpage régulée AC/DC
<b>Catégorie</b>	Unité d'alimentation électrique pour les appareils médicaux / ITE / le logement
<b>Gamme de tension d'entrée</b>	100 – 240V~, 50-60Hz
<b>Max. Courant d'entrée</b>	2,2A
<b>Connecteur d'entrée</b>	IEC 60320/C14
<b>Tension de sortie</b>	24VDC, 7,5A
<b>Max. Puissance nominale de sortie</b>	180W, Puissance nominale avec refroidissement par convection.
<b>Connecteur de sortie</b>	KPPX-4P, Pin 1,4 -> 24V, Pin 2,3 -> GND, Shell -> AC Earth
<b>Efficacité</b>	DOE Level VI / CEC Level VI / Eco-design Directive 2009/125/EC, (EU) 2019/1782
<b>Protection</b>	IP41
<b>Taille</b>	176.5*74*40mm
<b>Température ambiante</b>	0 – 40°,
<b>Approbations</b>	cETLus 60601-1-11; cETLus 60950-1; cETLus 60601-1 3rd; CB 60601-1-11; CB 60601-1; cETLus; S-Mark IEC/EN 60601-1; WEEE; Ukraine; PSE; VCCI; Level VI; China RoHS; CE; EAC; Class I; RoHS; CB 60950; CB 60335; CCC; CB 62368; S-Mark 60950;
<b>Documents d'enregistrement</b>	<a href="http://www.globtek.info/certs/GTM961800P/">www.globtek.info/certs/GTM961800P/</a>



## Conditions d'octroi des licences environnementales

### Pile au lithium

Ce produit contient une batterie située sur la carte mère interne. La batterie assure l'intégrité des données de l'horloge en temps réel et des paramètres du BIOS. La capacité de la batterie est généralement suffisante pour la durée de vie de l'appareil. Cette batterie ne doit être remplacée que par un technicien de service qualifié. Une pile au lithium vide doit être éliminée séparément.



### Élimination des déchets d'équipements par les utilisateurs

Ce symbole indique que vous ne devez pas jeter le produit avec d'autres déchets dans les ordures ménagères. Pour des raisons de santé et de protection de l'environnement, vous devriez plutôt apporter les déchets d'équipements à un point de collecte des déchets d'équipements électriques et électroniques.



### Procédures de nettoyage

Utilisez un chiffon microfibre humide pour nettoyer toutes les parties non électriques des produits. Les pièces métalliques et les plaques de verre peuvent être nettoyées à l'aide d'un nettoyant pour vitres standard. N'utilisez pas d'alcool, d'éthanol ou tout autre solvant organique car ils peuvent détruire la surface du produit.

### Déclaration RoHS

Ce produit est conforme à la directive sur la restriction des substances dangereuses 2011/65/UE (RoHS 2) et interdit l'utilisation du plomb, du mercure, du chrome hexavalent, des biphényles polybromés ou des éthers diphényles polybromés à des concentrations supérieures à 0,1 % en poids et à 0,01 % en poids pour le cadmium.



### Système de gestion de la qualité

Le système de gestion de la qualité d'Image Access GmbH, Wuppertal, Allemagne, a été évalué et enregistré par Intertek Certification GmbH comme étant conforme aux exigences de

DIN EN ISO 9001:2015.

Le système de gestion de la qualité est applicable à la conception, à la fabrication et à la vente de scanners et de composants de scanners



### Remerciements pour l'Open Source

Ce produit comprend un logiciel publié par l'Apache Software Foundation [www.apache.org](http://www.apache.org)

Ce produit comprend des logiciels publiés par l'Open Source Initiative. [www.opensource.org](http://www.opensource.org)

Ce produit comprend des logiciels publiés par la Free Software Foundation [www.gnu.org/licenses/gpl.html](http://www.gnu.org/licenses/gpl.html)

Ce produit est basé en partie sur le travail du groupe indépendant JPEG. [www.jpeg.org](http://www.jpeg.org)

Conformément à la licence publique générale GNU et à toutes les autres licences de logiciels utilisés, Image Access vous fait cette offre écrite pour recevoir sur un CD-R, au coût de 50 \$, une copie complète lisible par machine du code source de tous les logiciels sous licence utilisés dans ce produit. Vous pouvez demander ce CD-R à votre représentant Image Access local.

# WideTEK<sup>®</sup>

## Informazioni legali Italiano

<b>Titolo</b>	Informazioni legali		
<b>Prodotti</b>	<b>WT36-600</b>	<b>WT44-600</b>	<b>WT48-600</b>
<b>Telaio</b>	<b>D</b>	<b>D</b>	<b>D</b>
<b>Revisione</b>	2.0		
<b>Data:</b>	05.02.2021		

## Dichiarazione di conformità (UE)

Secondo ISO/IEC 17050-1 e EN 17050-1

### Il produttore

<b>Produttore</b>	Image Access GmbH, Wuppertal, Germania
-------------------	--

### dichiara che il prodotto

<b>Prodotto</b>	WideTEK 36, WideTEK 44, WideTEK 48
<b>Denominazione del modello</b>	WT36-***, WT44-***, WT48-***

### è conforme ai seguenti regolamenti

<b>Sicurezza</b>	IEC/EN 62368-1:2014 Ed. 2, AUS/NZL 62368-1:2014 Ed. 2
	UL 62368-1:2014 Ed. 2, CSA 62368-1:2014 Ed. 2
<b>EMC</b>	EN 55032:2015 (B), CISPR32, EN 55024:2010 + A1:2015, CISPR24
	EN 61000-3-2:2014, EN 61000-3-3:2013, FCC CFR 47 Parte 15 (B)
<b>RoHS</b>	Direttiva 2011/65/UE (RoHS 2), SJ/T 11364 (Cina RoHS), India E-waste Rule 2011
<b>Efficienza</b>	DOE Livello VI / CEC Livello VI / Direttiva Eco-design 2009/125/CE, (UE) 2019/1782

Il prodotto è conforme ai requisiti della direttiva sulla bassa tensione 2014/35/UE, della direttiva EMC 2014/30/UE, della direttiva RoHS 2011/65/UE e porta il marchio CE. Inoltre, è conforme alla direttiva WEEE 2012/19/UE.

Luglio 2020, Image Access GmbH, Germania



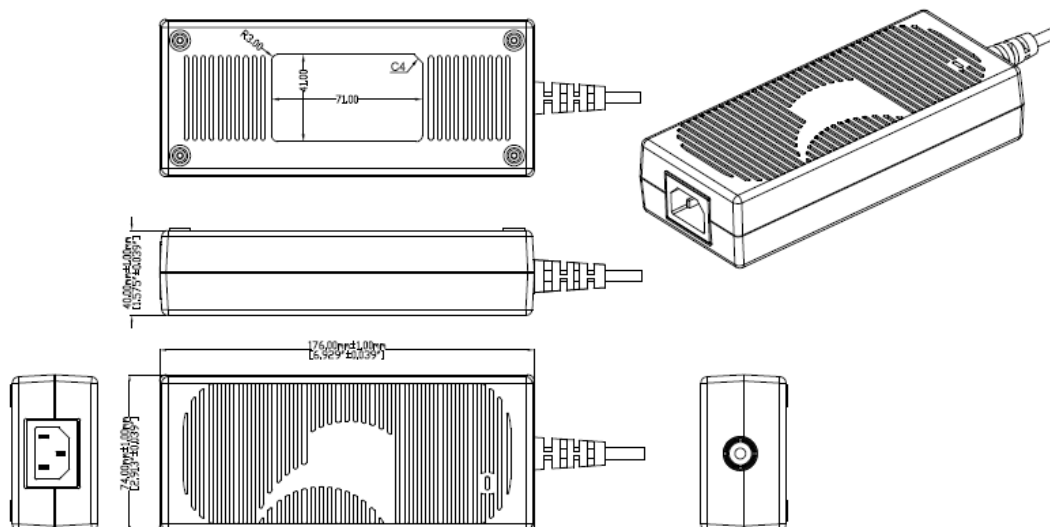
Thomas Ingendoh, CEO



## Alimentazione esterna

### Alimentazione medica / ITE / domestica

<b>Numero di parte</b>	<b>TR9CI7500YL4CIMR6B</b>
<b>Produttore</b>	GlobTek, Inc,
<b>Modello normativo</b>	GTM961800P
<b>Tipo</b>	Alimentatore regolato a commutazione AC/DC Adattatore AC
<b>Categoria</b>	Medico/ITE/uso domestico Alimentazione
<b>Gamma di tensione d'ingresso</b>	100 - 240V~, 50-60Hz
<b>Max. Corrente d'ingresso</b>	2,2A
<b>Connettore d'ingresso</b>	IEC 60320/C14
<b>Tensione di uscita</b>	24VDC, 7,5A
<b>Max. Potenza d'uscita nominale</b>	180W, Potenza nominale con raffreddamento a convezione.
<b>Connettore di uscita</b>	KPPX-4P, Pin 1,4 -> 24V, Pin 2,3 -> GND, Guscio -> Terra AC
<b>Efficienza</b>	DOE Livello VI / CEC Livello VI / Direttiva Eco-design 2009/125/CE, (UE) 2019/1782
<b>Protezione</b>	IP41
<b>Dimensione</b>	176,5*74*40mm
<b>Temperatura ambiente</b>	0 – 40°,
<b>Approvazioni</b>	cETLus 60601-1-11; cETLus 60950-1; cETLus 60601-1 3rd; CB 60601-1-11; CB 60601-1; cETLus; S-Mark IEC/EN 60601-1; WEEE; Ucraina; PSE; VCCI; Livello VI; China RoHS; CE; EAC; Classe I; RoHS; CB 60950; CB 60335; CCC; CB 62368; S-Mark 60950;
<b>Documenti dell'agenzia</b>	<a href="http://www.globtek.info/certs/GTM961800P/">www.globtek.info/certs/GTM961800P/</a>



## Dichiarazioni Normative Ecologiche

### Batteria al litio

Questo prodotto contiene una batteria al litio situata su una scheda madre interna. La batteria è utilizzata per mantenere l'integrità dei dati dell'orologio in tempo reale e le impostazioni del BIOS ed è progettata per durare **per** la vita del prodotto. Qualsiasi tentativo di riparare o sostituire questa batteria dovrebbe essere eseguito da un tecnico qualificato. La batteria potrebbe richiedere un trattamento speciale alla fine della sua vita.



### Smaltimento dei rifiuti di apparecchiature da parte degli utenti

Questo simbolo indica che non si deve smaltire il vostro prodotto con gli altri rifiuti domestici. Invece, si deve proteggere la salute umana e l'ambiente consegnando il tuo materiale di scarto a un punto di raccolta designato per il riciclaggio dei rifiuti elettrici.



### Procedure di pulizia

Usare un panno in microfibra umido per pulire tutte le parti non elettriche dei prodotti. Le parti metalliche e le piastre di vetro possono essere pulite con un normale detergente per vetri. Non usare alcool, etanolo o altri solventi organici perché possono distruggere la superficie del prodotto.

### Dichiarazione RoHS

Questo prodotto è conforme alla **direttiva sulla restrizione delle sostanze pericolose 2011/65/UE (RoHS 2)** e vieta l'uso di piombo, mercurio, cromo esavalente, bifenili polibromurati o eteri di difenile polibromurato in concentrazioni superiori allo 0,1 % in peso e allo 0,01 % in peso per il cadmio.



### Sistema di gestione della qualità

Il sistema di gestione della qualità di Image Access GmbH, Wuppertal, Germania è stato valutato e registrato da Intertek Certification GmbH come conforme ai requisiti di DIN EN ISO 9001:2015. Il sistema di gestione della qualità è applicabile alla progettazione, produzione e vendita di scanner e componenti per scanner.



### Riconoscimenti Open Source

Questo prodotto include software pubblicato dalla Apache Software Foundation [www.apache.org](http://www.apache.org)  
Questo prodotto include software pubblicato dalla Open Source Initiative. [www.opensource.org](http://www.opensource.org)  
Questo prodotto include software pubblicato dalla Free Software Foundation [www.gnu.org/licenses/gpl.html](http://www.gnu.org/licenses/gpl.html)  
Questo prodotto è basato in parte sul lavoro dell'Independent JPEG Group. [www.jpeg.org](http://www.jpeg.org)

In accordo con la GNU General Public License e con tutte le altre licenze software utilizzate, Image Access fornisce all'utente questa offerta scritta per ricevere su un CD-R, al costo di 50 dollari, una copia completa leggibile dalla macchina del codice sorgente di tutto il software concesso in licenza utilizzato in questo prodotto. Potete richiedere questo CD-R al vostro rappresentante locale di Image Access.

# WideTEK<sup>®</sup>

## Informacje prawne Polska

<b>Tytuł</b>	Informacje prawne		
<b>Produkty</b>	<b>WT36-600</b>	<b>WT44-600</b>	<b>WT48-600</b>
<b>Podwozie</b>	<b>D</b>	<b>D</b>	<b>D</b>
<b>Rewizja</b>	2.0		
<b>Data:</b>	05.02.2021		

## Deklaracja Zgodności (UE)

Zgodnie z normami ISO/IEC 17050-1 i EN 17050-1

### Producent

<b>Producent</b>	Image Access GmbH, Wuppertal, Niemcy
------------------	--------------------------------------

### oświadcza, że produkt

<b>Produkt</b>	WideTEK 36, WideTEK 44, WideTEK 48
<b>Oznaczenie modelu</b>	WT36-***, WT44-***, WT48-***

### jest zgodny z następującymi przepisami

<b>Bezpieczeństwo</b>	IEC/EN 62368-1:2014 Ed. 2, AUS/NZL 62368-1:2014 Ed. 2
	UL 62368-1:2014 Ed. 2, CSA 62368-1:2014 Ed. 2
<b>EMC</b>	EN 55032:2015 (B), CISPR32, EN 55024:2010 + A1:2015, CISPR24
	EN 61000-3-2:2014, EN 61000-3-3:2013, FCC CFR 47 część 15 (B)
<b>RoHS</b>	Dyrektywa 2011/65/EU (RoHS 2), SJ/T 11364 (China RoHS), India E-waste Rule 2011.
<b>Wydajność</b>	DOE poziom VI / CEC poziom VI / Dyrektywa Eco-design 2009/125/WE, (UE) 2019/1782

Niniejszy produkt spełnia wymagania dyrektywy niskonapięciowej 2014/35/UE, dyrektywy EMC 2014/30/UE, dyrektywy RoHS 2011/65/UE i posiada odpowiednie oznaczenie CE. Ponadto jest zgodny z dyrektywą WEEE 2012/19/EU.

Lipiec 2020, Image Access GmbH, Niemcy

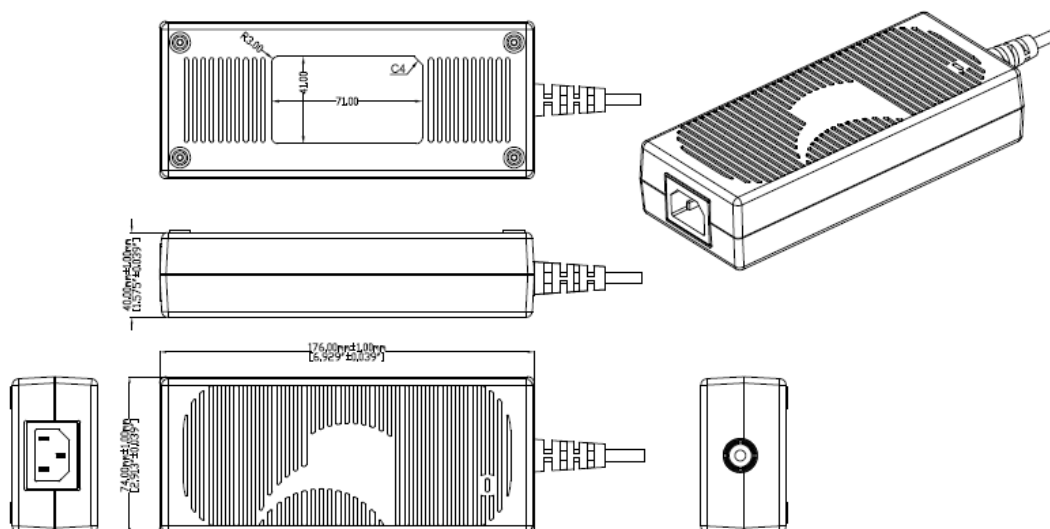


Thomas Ingendoh, Dyrektor Generalny

## Zewnętrzne zasilanie

### Medyczne / ITE / Gospodarstwo domowe Zasilacz

Numer części	TR9CI7500YL4CIMR6B
Producent	GlobTek, Inc,
Model regulacyjny	GTM961800P
Typ	Regulowany zasilacz impulsowy AC/DC Zasilacz AC
Kategoria	Medyczne/ITE/użycie w gospodarstwie domowym Zasilanie
Zakres napięcia wejściowego	100 - 240V~, 50-60Hz
Maks. Prąd wejściowy	2,2A
Złącze wejściowe	IEC 60320/C14
Napięcie wyjściowe	24VDC, 7,5A
Maks. Moc wyjściowa	180W, Moc znamionowa z chłodzeniem konwekcyjnym.
Złącze wyjściowe	KPPX-4P, Pin 1,4 -> 24V, Pin 2,3 -> GND, Shell -> AC Earth
Wydajność	DOE poziom VI / CEC poziom VI / Dyrektywa Eco-design 2009/125/WE, (UE) 2019/1782
Ochrona	IP41
Rozmiar	176.5*74*40mm
Temperatura otoczenia	0 – 40°,
Zatwierdzenia	cETLus 60601-1-11; cETLus 60950-1; cETLus 60601-1 3rd; CB 60601-1-11; CB 60601-1; cETLus; S-Mark IEC/EN 60601-1; WEEE; Ukraina; PSE; VCCI; Poziom VI; China RoHS; CE; EAC; Class I; RoHS; CB 60950; CB 60335; CCC; CB 62368; S-Mark 60950;
Dokumenty Agencji	<a href="http://www.globtek.info/certs/GTM961800P/">www.globtek.info/certs/GTM961800P/</a>



## Oświadczenia regulacyjne Ekologiczne

### Bateria litowa

Ten produkt zawiera baterię litową umieszczoną na wewnętrznej płycie głównej. Bateria jest używana do zachowania integralności danych zegara czasu rzeczywistego oraz ustawień systemu BIOS i została zaprojektowana na cały okres eksploatacji produktu. Wszelkie próby serwisowania lub wymiany tej baterii powinny być wykonywane przez wykwalifikowanego technika serwisu. Pod koniec okresu eksploatacji bateria może wymagać specjalnego traktowania.



### Unieszkodliwianie zużytego sprzętu przez użytkowników

Symbol ten oznacza, że nie należy wyrzucać produktu wraz z innymi odpadami domowymi. Zamiast tego należy chronić zdrowie ludzi i środowisko, oddając zużyty sprzęt do wyznaczonego punktu zbiórki w celu recyklingu odpadów elektrycznych.



### Procedury czyszczenia

Do czyszczenia wszystkich nieelektrycznych części produktów należy używać wilgotnej ściereczki z mikrofibry. Części metalowe i płyty szklane można czyścić za pomocą standardowego środka do czyszczenia szkła. Nie należy używać alkoholu, etanolu ani żadnych innych rozpuszczalników organicznych, ponieważ mogą one zniszczyć powierzchnię produktu.

### Deklaracja RoHS

Ten produkt jest zgodny z **dyrektywą w sprawie ograniczenia stosowania substancji niebezpiecznych 2011/65/UE (RoHS 2)** i zabrania stosowania ołowiu, rtęci, sześciowartościowego chromu, polibromowanych bifenyli lub polibromowanych eterów difenylowych w stężeniach przekraczających 0,1 % wag. i 0,01 % wag. w przypadku kadmu.



### System Zarządzania Jakością

System zarządzania jakością firmy Image Access GmbH, Wuppertal, Niemcy został oceniony i zarejestrowany przez Intertek Certification GmbH jako zgodny z wymaganiami DIN EN ISO 9001:2015. System Zarządzania Jakością ma zastosowanie do projektowania, produkcji i sprzedaży skanerów i komponentów do skanerów.



Intertek

### Podziękowania dla Open Source

Ten produkt zawiera oprogramowanie opublikowane przez Apache Software Foundation [www.apache.org](http://www.apache.org)

Ten produkt zawiera oprogramowanie opublikowane przez Open Source Initiative. [www.opensource.org](http://www.opensource.org)

Ten produkt zawiera oprogramowanie opublikowane przez Free Software Foundation [www.gnu.org/licenses/gpl.html](http://www.gnu.org/licenses/gpl.html)

Ten produkt jest oparty częściowo na pracach Independent JPEG Group. [www.jpeg.org](http://www.jpeg.org)

Zgodnie z Powszechną Licencją Publiczną GNU oraz wszystkimi innymi licencjami na używane oprogramowanie, Image Access składa Państwu pisemną ofertę otrzymania na płycie CD-R, za opłatą 50 USD, kompletnej, nadającej się do odczytu maszynowego kopii kodu źródłowego całego licencjonowanego oprogramowania użytego w tym produkcie. Płytę CD-R można zamówić u lokalnego przedstawiciela firmy Image Access.

# WideTEK<sup>®</sup>

## Právní informace Česka

<b>Název</b>	Právní informace		
<b>Produkty</b>	<b>WT36-600</b>	<b>WT44-600</b>	<b>WT48-600</b>
<b>Podvozek</b>	<b>D</b>	<b>D</b>	<b>D</b>
<b>Revize</b>	2.0		
<b>Datum:</b>	05.02.2021		

## Prohlášení o shodě (EU)

Podle ISO/IEC 17050-1 a EN 17050-1

### Výrobce

<b>Výrobce</b>	Image Access GmbH, Wuppertal, Německo
----------------	---------------------------------------

### prohlašuje, že výrobek

<b>Produkt</b>	WideTEK 36, WideTEK 44, WideTEK 48
<b>Označení modelu</b>	WT36-***, WT44-***, WT48-***

### splňuje následující předpisy

<b>Bezpečnost</b>	IEC/EN 62368-1:2014 Ed. 2, AUS/NZL 62368-1:2014 Ed. 2
	UL 62368-1:2014 Ed. 2, CSA 62368-1:2014 Ed. 2
<b>EMC</b>	EN 55032:2015 (B), CISPR32, EN 55024:2010 + A1:2015, CISPR24
	EN 61000-3-2:2014, EN 61000-3-3:2013, FCC CFR 47 část 15 (B)
<b>RoHS</b>	Směrnice 2011/65/EU (RoHS 2), SJ/T 11364 (Čína RoHS), India E-waste Rule 2011
<b>Účinnost</b>	DOE Level VI / CEC Level VI / Směrnice o ekodesignu 2009/125/ES, (EU) 2019/1782

Tento výrobek splňuje požadavky směrnice o nízkém napětí 2014/35/EU, směrnice o elektromagnetické kompatibilitě 2014/30/EU a směrnice o omezení používání nebezpečných látek 2011/65/EU a je opatřen odpovídajícím označením CE. Kromě toho je v souladu se směrnicí 2012/19/EU o odpadních elektrických a elektronických zařízeních.

červenec 2020, Image Access GmbH, Německo



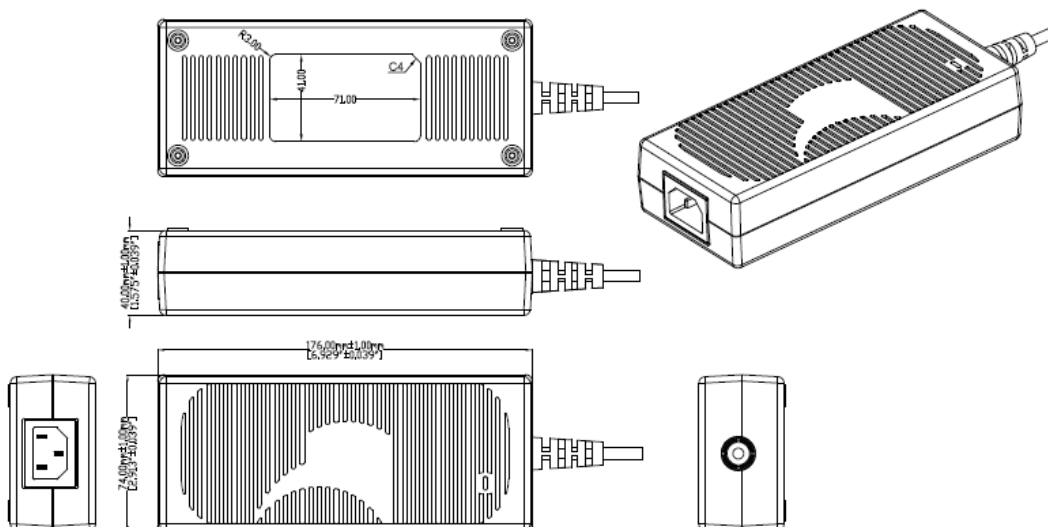
Thomas Ingendoh, generální ředitel



## Externí zdroj napájení

### Napájení pro zdravotnictví / ITE / domácnosti

Číslo dílu	TR9CI7500YL4CIMR6B
Výrobce	GlobTek, Inc,
Regulační model	GTM961800P
Typ	Regulovaný spínaný zdroj střídavého/stejnoseměrného proudu Síťový adaptér
Kategorie	Napájení pro lékařské účely/IT/domácnosti
Rozsah vstupního napětí	100 - 240 V~, 50-60 Hz
Max. Vstupní proud	2,2A
Vstupní konektor	IEC 60320/C14
Výstupní napětí	24VDC, 7,5A
Max. Jmenovitý výstupní výkon	180 W, jmenovitý výkon s konvekčním chlazením.
Výstupní konektor	KPPX-4P, Pin 1,4 -> 24V, Pin 2,3 -> GND, Shell -> AC Earth
Účinnost	DOE Level VI / CEC Level VI / Směrnice o ekodesignu 2009/125/ES, (EU) 2019/1782
Ochrana	IP41
Velikost	176,5*74*40 mm
Okolní teplota	0 – 40°,
Schválení	cETLus 60601-1-11; cETLus 60950-1; cETLus 60601-1 3rd; CB 60601-1-11; CB 60601-1; cETLus; S-Mark IEC/EN 60601-1; WEEE; Ukrajina; PSE; VCCI; Level VI; China RoHS; CE; EAC; Class I; RoHS; CB 60950; CB 60335; CCC; CB 62368; S-Mark 60950;
Dokumenty agentury	<a href="http://www.globtek.info/certs/GTM961800P/">www.globtek.info/certs/GTM961800P/</a>



## Regulační prohlášení Ekologické

### Lithiová baterie

Tento výrobek obsahuje lithiovou baterii umístěnou na vnitřní základní desce. Baterie slouží k zachování integrity dat hodin reálného času a nastavení systému BIOS a je navržena tak, aby vydržela po celou dobu životnosti výrobku. Jakýkoli pokus o servis nebo výměnu této baterie by měl provádět kvalifikovaný servisní technik. Baterie může na konci své životnosti vyžadovat zvláštní zacházení.



### Likvidace odpadních zařízení uživateli

Tento symbol znamená, že výrobek nelikvidujte společně s ostatním domovním odpadem. Místo toho byste měli chránit lidské zdraví a životní prostředí a odevzdat odpadní zařízení na určeném sběrném místě pro recyklaci elektroodpadu.



### Postupy čištění

K čištění všech neelektrických částí výrobků použijte vlhký hadřík z mikrovlákna. Kovové části a skleněné desky lze čistit běžným čisticím prostředkem na sklo. Nepoužívejte alkohol, etanol ani jiná organická rozpouštědla, protože mohou zničit povrch výrobku.

### Prohlášení RoHS

Tento výrobek je v souladu se **směrnicí 2011/65/EU o omezení nebezpečných látek (RoHS 2)** a zakazuje použití olova, rtuti, šestimocného chromu, polybromovaných bifenylů nebo polybromovaných difenyletherů v koncentracích vyšších než 0,1 % hmotnostních a 0,01 % hmotnostních kadmia.



### Systém řízení kvality

Systém řízení kvality společnosti Image Access GmbH, Wuppertal, Německo, byl posouzen a zaregistrován společností Intertek Certification GmbH jako vyhovující požadavkům na DIN EN ISO 9001:2015. Systém řízení kvality se vztahuje na konstrukci, výrobu a prodej skenerů a jejich součástí.

**Intertek**

### Poděkování za otevřený zdrojový kód

Tento produkt obsahuje software publikovaný nadací Apache Software Foundation [www.apache.org](http://www.apache.org).  
Tento produkt obsahuje software publikovaný iniciativou Open Source Initiative. [www.opensource.org](http://www.opensource.org)  
Tento produkt obsahuje software publikovaný nadací Free Software Foundation [www.gnu.org/licenses/gpl.html](http://www.gnu.org/licenses/gpl.html).  
Tento produkt je částečně založen na práci skupiny Independent JPEG Group. [www.jpeg.org](http://www.jpeg.org)

V souladu s GNU General Public License a všemi ostatními licencemi na používaný software vám společnost Image Access tímto písemně nabízí, že za 50 USD obdržíte na CD-R kompletní strojově čitelnou kopii zdrojového kódu veškerého licencovaného softwaru použitého v tomto produktu. Tento disk CD-R si můžete vyžádat u místního zástupce společnosti Image Access.

# WideTEK<sup>®</sup>

## Juridiske oplysninger

### Duński

<b>Titel</b>	Juridiske oplysninger		
<b>Produkter</b>	<b>WT36-600</b>	<b>WT44-600</b>	<b>WT48-600</b>
<b>Chassis</b>	<b>D</b>	<b>D</b>	<b>D</b>
<b>Revision</b>	2.0		
<b>Dato:</b>	05.02.2021		

## Overensstemmelseserklæring (EU)

I henhold til ISO/IEC 17050-1 og EN 17050-1

### Producenten

<b>Producent</b>	Image Access GmbH, Wuppertal, Tyskland
------------------	--

### erklærer, at produktet

<b>Produkt</b>	WideTEK 36, WideTEK 44, WideTEK 48
<b>Modelbetegnelse</b>	WT36-***, WT44-***, WT48-***

### er i overensstemmelse med følgende bestemmelser

<b>Sikkerhed</b>	IEC/EN 62368-1:2014 Ed. 2, AUS/NZL 62368-1:2014 Ed. 2
	UL 62368-1:2014 Ed. 2, CSA 62368-1:2014 Ed. 2
<b>EMC</b>	EN 55032:2015 (B), CISPR32, EN 55024:2010 + A1:2015, CISPR24
	EN 61000-3-2:2014, EN 61000-3-3-3:2013, FCC CFR 47 Part 15 (B)
<b>RoHS</b>	Direktiv 2011/65/EU (RoHS 2), SJ/T 11364 (Kina RoHS), India E-waste Rule 2011
<b>Effektivitet</b>	DOE niveau VI / CEC niveau VI / Eco-design direktiv 2009/125/EF, (EU) 2019/1782

Produktet opfylder hermed kravene i lavspændingsdirektivet 2014/35/EU, EMC-direktivet 2014/30/EU og RoHS-direktivet 2011/65/EU og er i overensstemmelse hermed CE-mærket. Desuden er det i overensstemmelse med WEEE-direktivet 2012/19/EU.

Juli 2020, Image Access GmbH, Tyskland

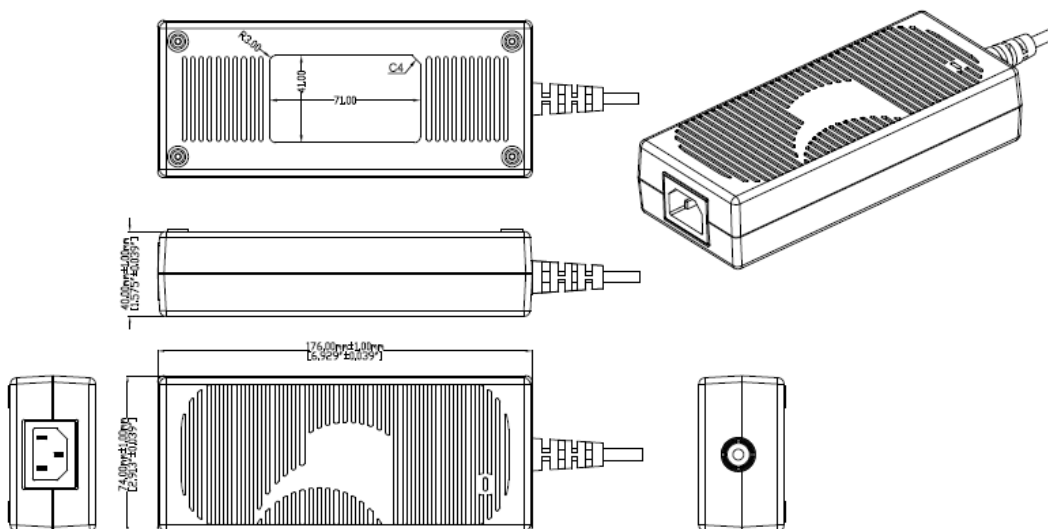


Thomas Ingendoh, administrerende direktør

## Ekstern strømforsyning

### Medicinsk / ITE / husholdningsstrømforsyning

<b>Delnummer</b>	<b>TR9CI7500YL4CIMR6B</b>
<b>Producent</b>	GlobTek, Inc,
<b>Reguleringsmodel</b>	GTM961800P
<b>Type</b>	Reguleret switchmode AC/DC-strømforsyning AC-adaptor
<b>Kategori</b>	Medicinsk/ITE/husholdningsbrug Strømforsyning
<b>Indgangsspændingsområde</b>	100 - 240V~, 50-60Hz
<b>Max. Indgangsstrøm</b>	2,2A
<b>Indgangsstik</b>	IEC 60320/C14
<b>Udgangsspænding</b>	24VDC, 7,5A
<b>Max. Udgangseffekt Rating</b>	180W, effekt med konvektionskøling.
<b>Udgangsstik</b>	KPPX-4P, Pin 1,4 -> 24V, Pin 2,3 -> GND, Shell -> AC Earth
<b>Effektivitet</b>	DOE niveau VI / CEC niveau VI / Eco-design direktiv 2009/125/EF, (EU) 2019/1782
<b>Beskyttelse</b>	IP41
<b>Størrelse</b>	176.5*74*40mm
<b>Omgivelsestemperatur</b>	0 – 40°,
<b>Godkendelser</b>	cETLus 60601-1-11; cETLus 60950-1; cETLus 60601-1 3rd; CB 60601-1-11; CB 60601-1; cETLus; S-Mark IEC/EN 60601-1; WEEE; Ukraine; PSE; VCCI; Level VI; China RoHS; CE; EAC; Klasse I; RoHS; CB 60950; CB 60335; CCC; CB 62368; S-Mark 60950;
<b>Agenturets dokumenter</b>	<a href="http://www.globtek.info/certs/GTM961800P/">www.globtek.info/certs/GTM961800P/</a>



## Lovgivningsmæssige erklæringer Økologisk

### Lithium-batteri

Dette produkt indeholder et litiumbatteri, der er placeret på et internt bundkort. Batteriet bruges til at opretholde dataintegriteten af realtidsklokken og BIOS-indstillingerne og er beregnet til at holde i produktets levetid. Ethvert forsøg på at servicere eller udskifte dette batteri skal udføres af en kvalificeret servicetekniker. Batteriet kan kræve en særlig håndtering i slutningen af dets levetid.



### Brugernes bortskaffelse af affaldsudstyr

Dette symbol betyder, at du ikke må bortskaffe produktet sammen med dit andet husholdningsaffald. I stedet bør du beskytte menneskers sundhed og miljøet ved at aflevere dit affaldsudstyr på et udpeget indsamlingssted for genbrug af affald af elektrisk udstyr.



### Rengøringsprocedurer

Brug en fugtig mikrofiberklud til at rengøre alle ikke-elektriske dele af produkterne. Metaldele og glasplader kan rengøres med et almindeligt glasrensemiddel. Brug ikke alkohol, ethanol eller andre organiske opløsningsmidler, da de kan ødelægge produktets overflade.

### RoHS-erklæring

Dette produkt er i overensstemmelse med **direktivet om begrænsning af farlige stoffer 2011/65/EU (RoHS 2)** og forbyder brug af bly, kviksølv, hexavalent krom, polybromerede biphenyler eller polybromerede diphenylethere i koncentrationer på over 0,1 vægtprocent og 0,01 vægtprocent for cadmium.



### Kvalitetsstyringssystem

Kvalitetsstyringssystemet hos Image Access GmbH, Wuppertal, Tyskland, er blevet vurderet og registreret af Intertek Certification GmbH som værende i overensstemmelse med kravene i DIN EN ISO 9001:2015. Kvalitetsstyringssystemet gælder for design, fremstilling og salg af scannere og scannerkomponenter.



### Anerkendelser om åben kildekode

Dette produkt indeholder software, der er udgivet af Apache Software Foundation [www.apache.org](http://www.apache.org)

Dette produkt indeholder software, der er udgivet af Open Source Initiative. [www.opensource.org](http://www.opensource.org)

Dette produkt indeholder software, der er udgivet af Free Software Foundation [www.gnu.org/licenses/gpl.html](http://www.gnu.org/licenses/gpl.html)

Dette produkt er delvist baseret på arbejdet i den uafhængige JPEG-gruppe. [www.jpeg.org](http://www.jpeg.org)

I overensstemmelse med GNU General Public License og alle andre anvendte softwarelicenser giver Image Access dig dette skriftlige tilbud om at modtage en komplet maskinlæsbar kopi af kildekoden til al licenseret software, der anvendes i dette produkt, på en CD-R til en pris af 50 \$. Du kan anmode om denne CD-R hos din lokale Image Access-repræsentant.