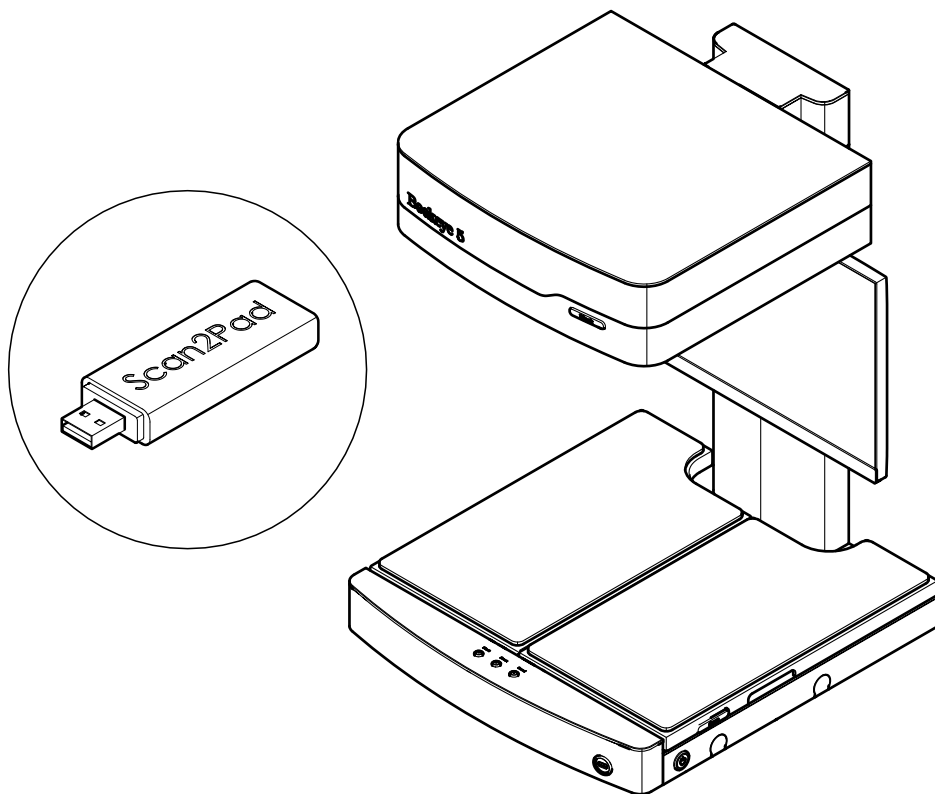


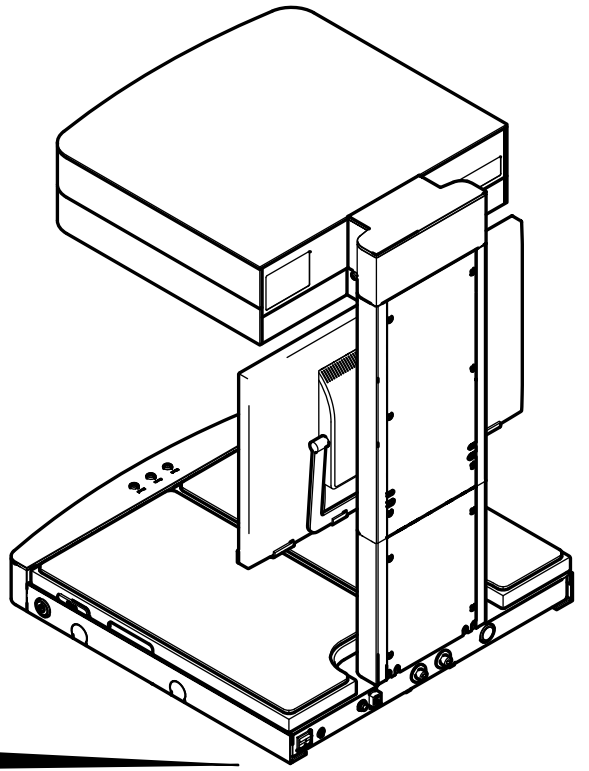
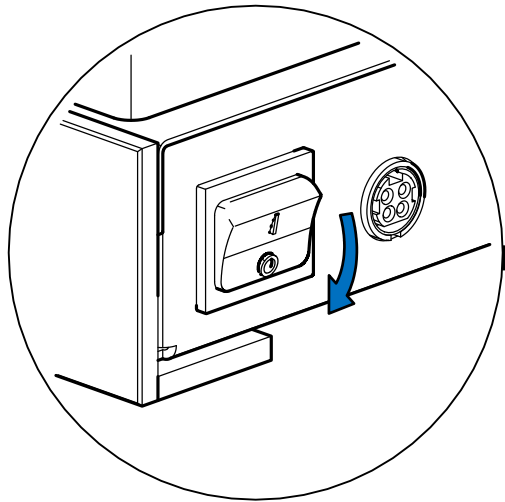
Assembly Instructions

Montageanleitung, Instrucciones de montaje, Instructions de montage,
Istruzioni per il montaggio, Montage Instructies, Instrukcja montażu,
Instruções de montage, 組立説明書, Инструкции по монтажу, 装配说明

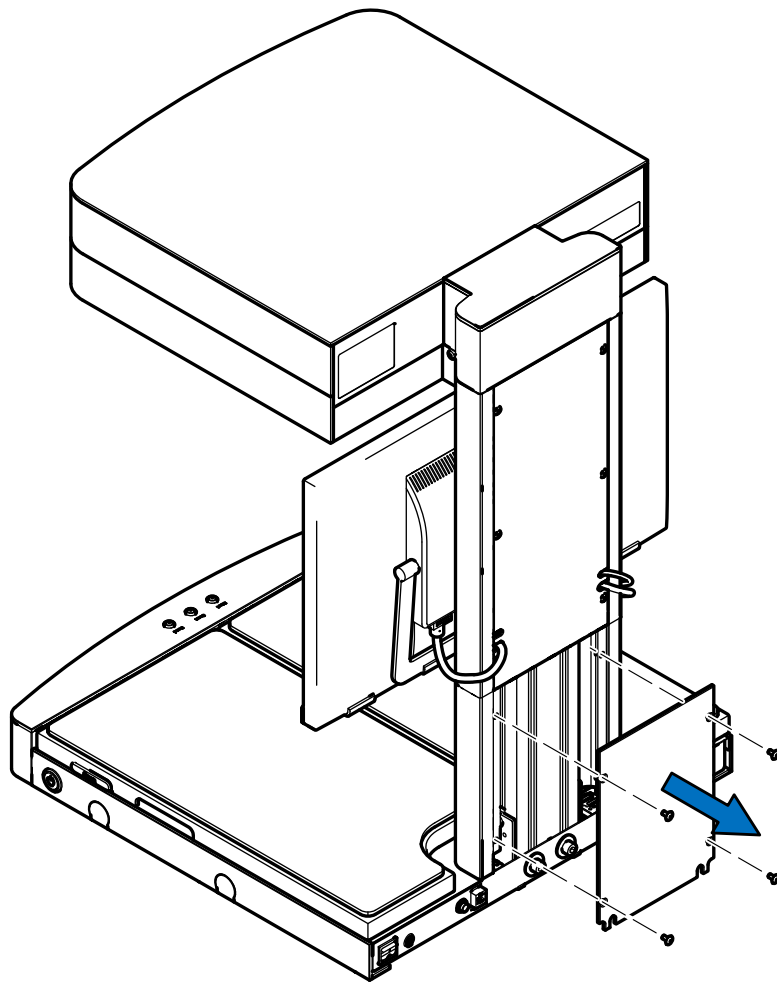
Scan2Pad® for BE5 Kiosk



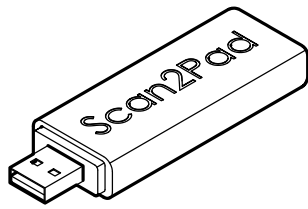
1



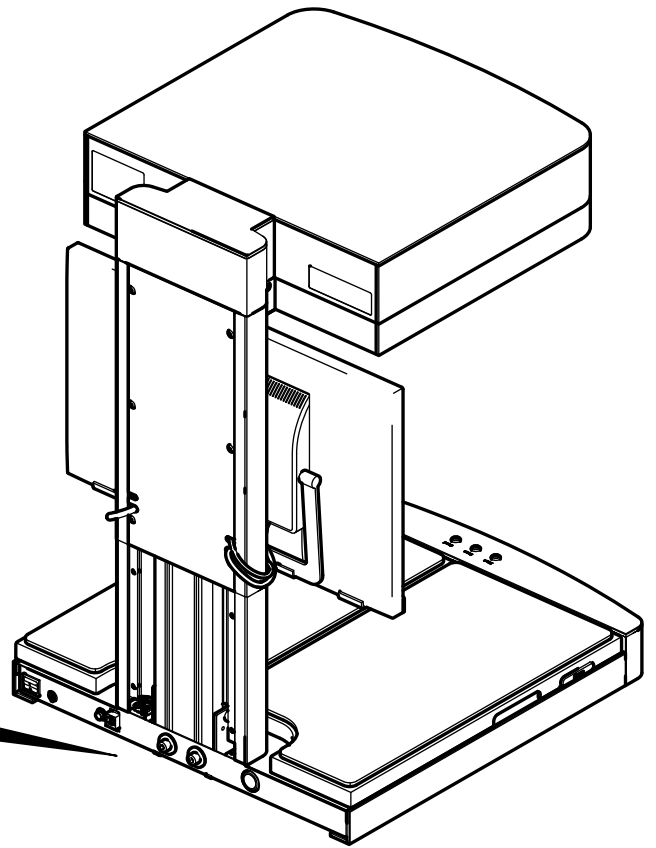
2



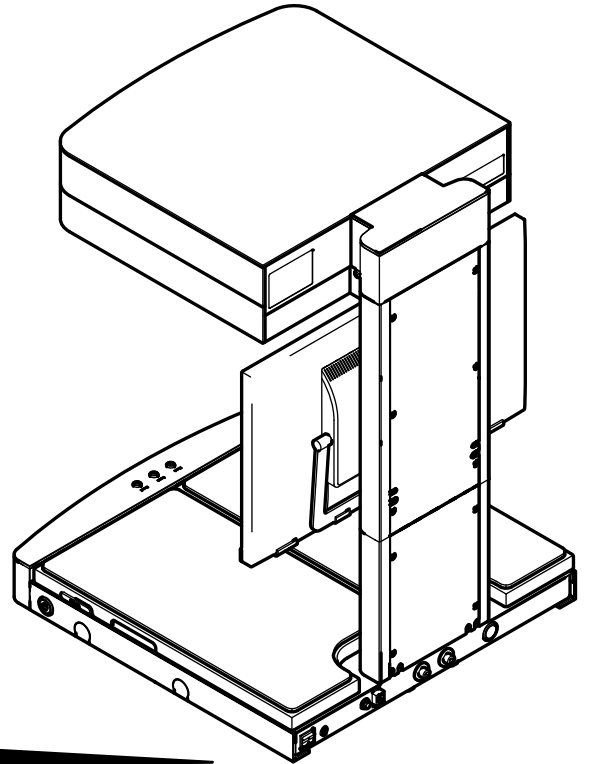
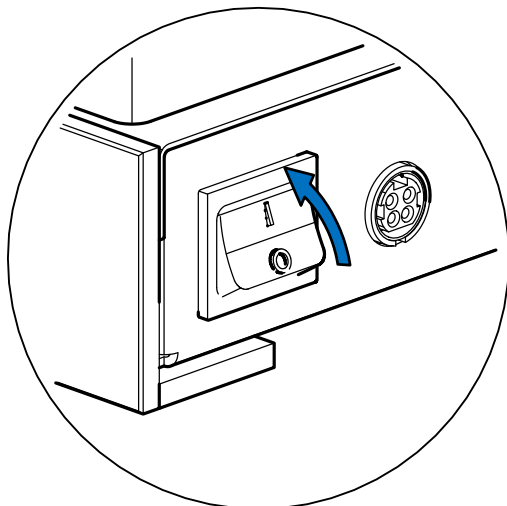
3

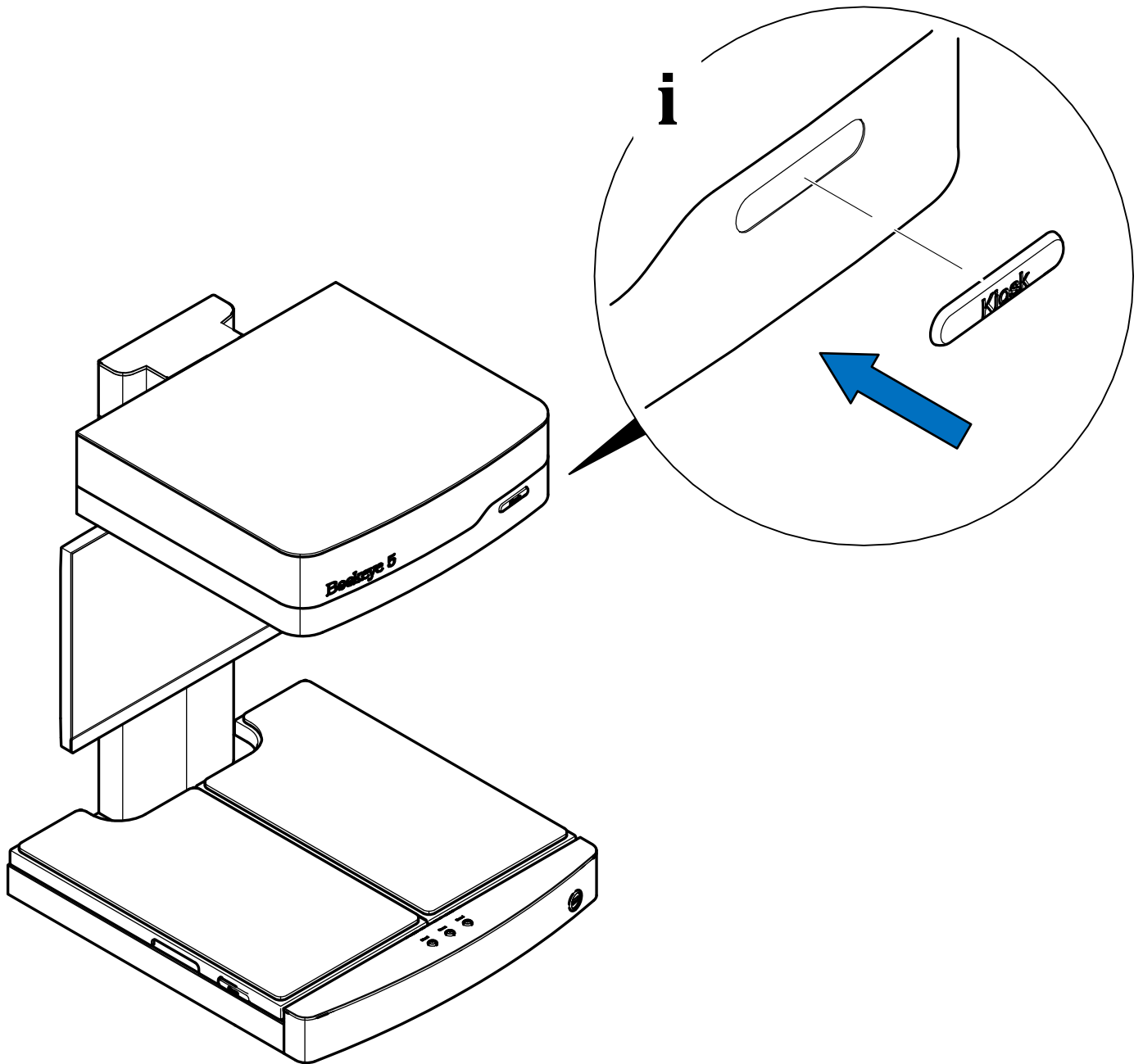


4x USB



4





<http://192.168.1.50>
→ Setup Device
→ Poweruser
→ Network Configuration
→ WLAN (Basic Settings)