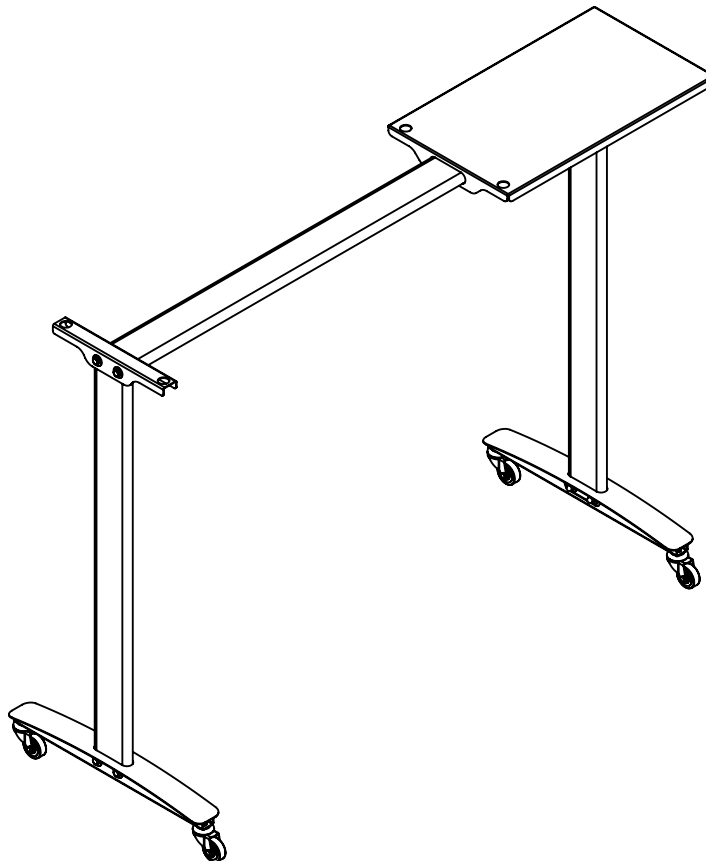


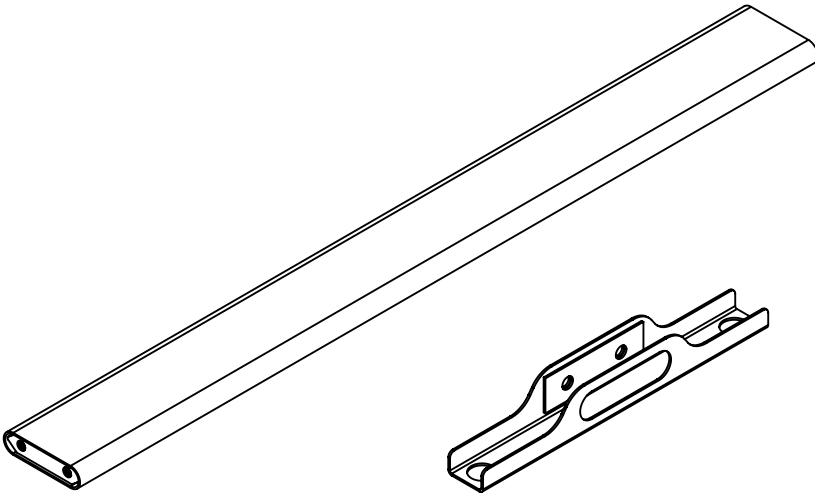
Assembly Instructions

Montageanleitung

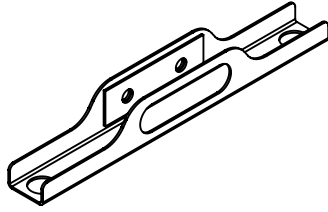
WT36-HIGH-STAND / WT48-HIGH-STAND

WideTEK® High Stand

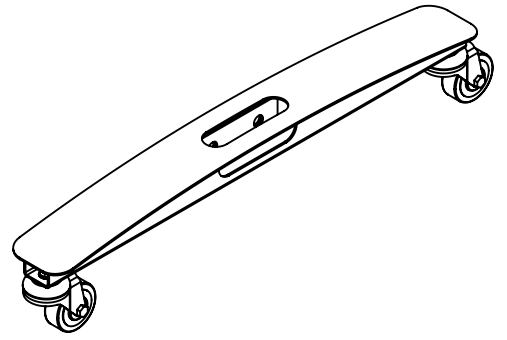




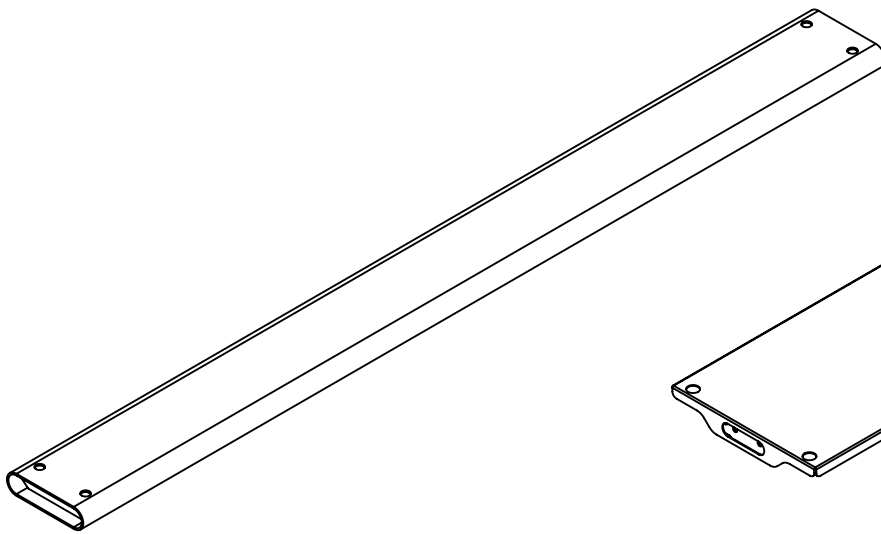
1x



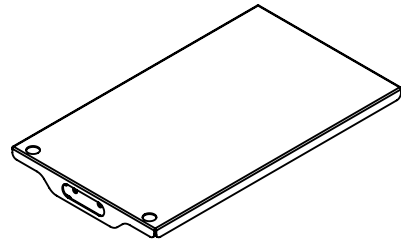
1x



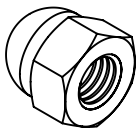
2x



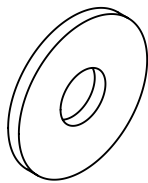
2x



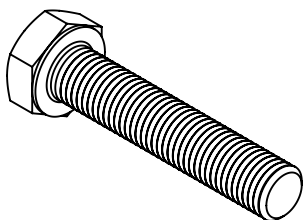
1x



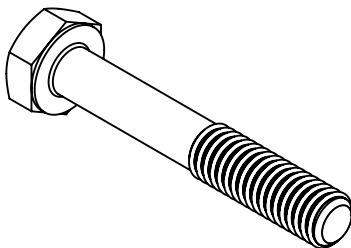
6x



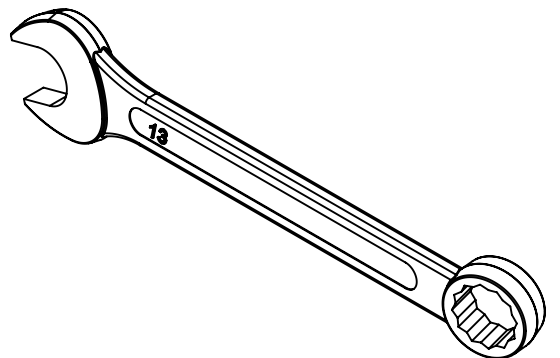
16x



8x

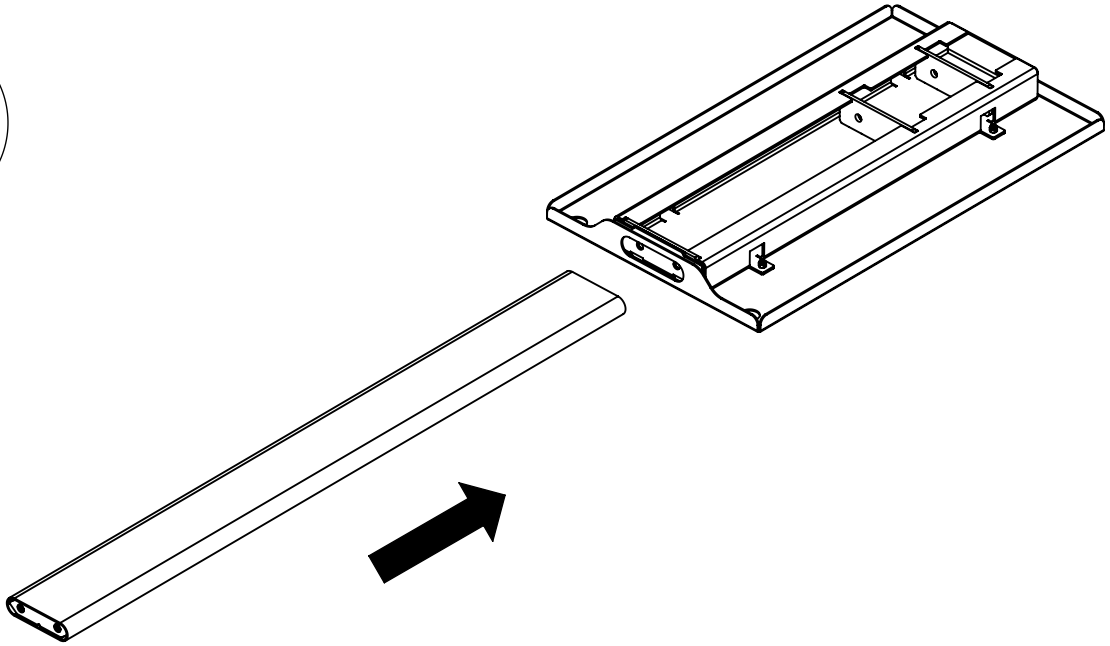


2x

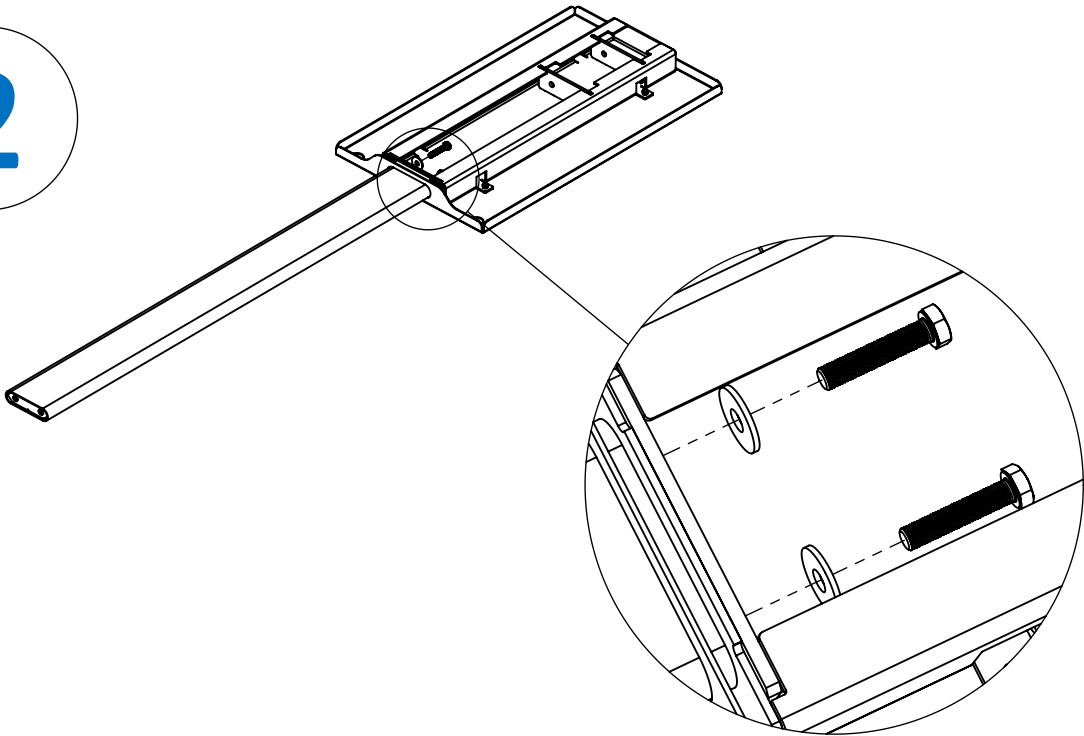


2x

1

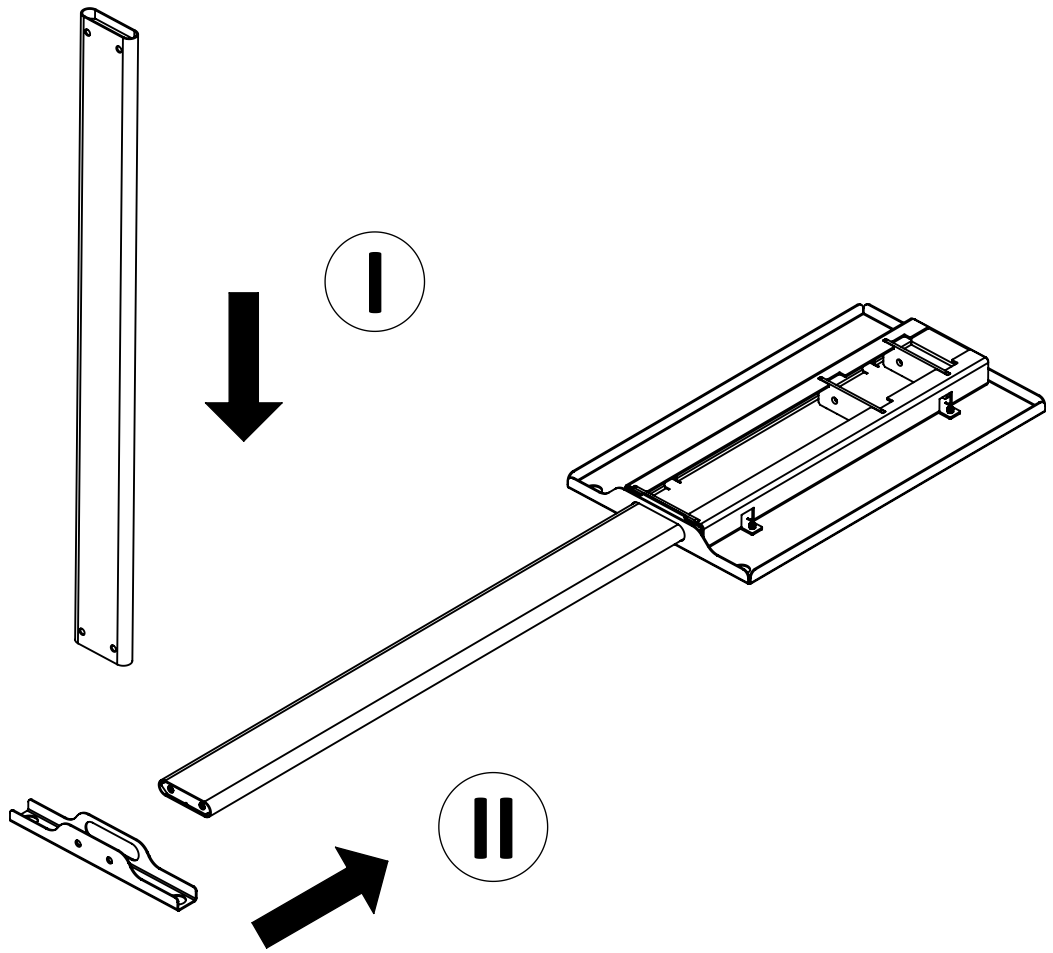


2

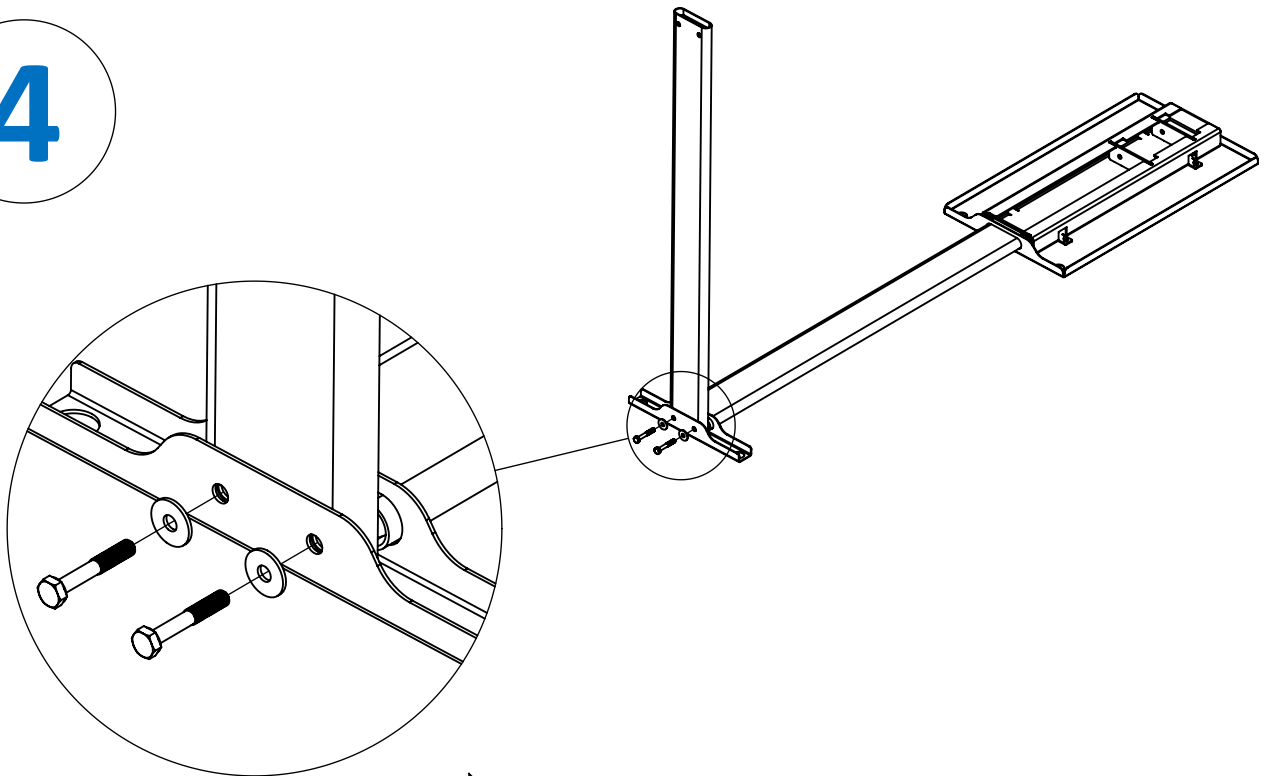


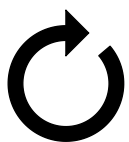
2x 

3

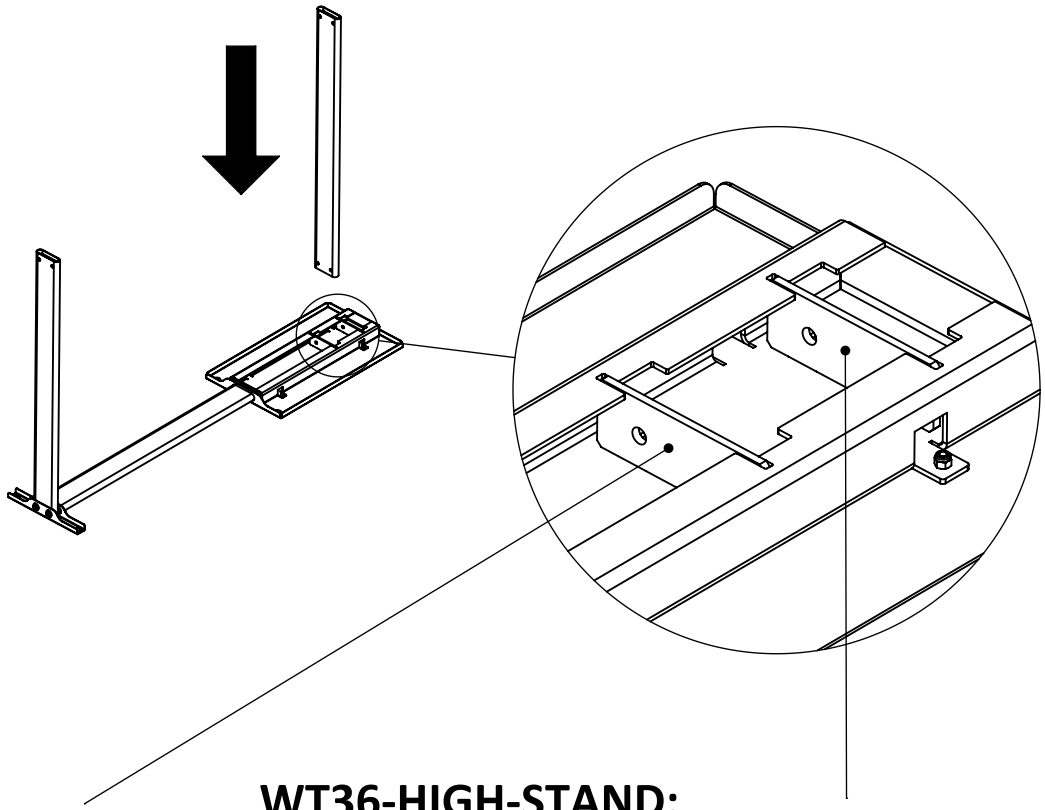


4



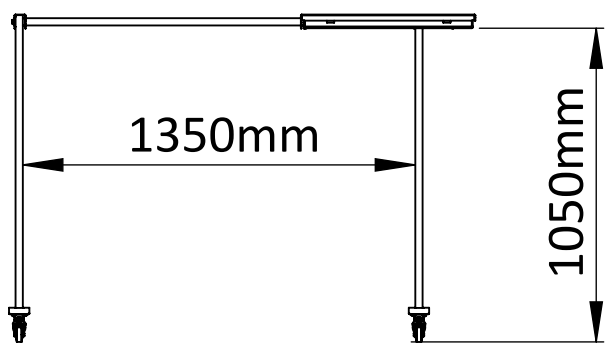
2x 

5

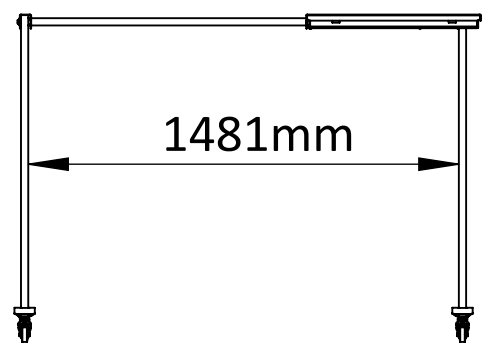


WT36-HIGH-STAND:

Printer < 1,30m / 53"

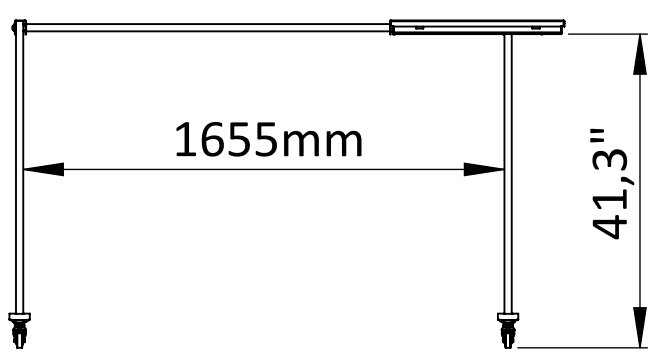


Printer < 1,45m / 57"

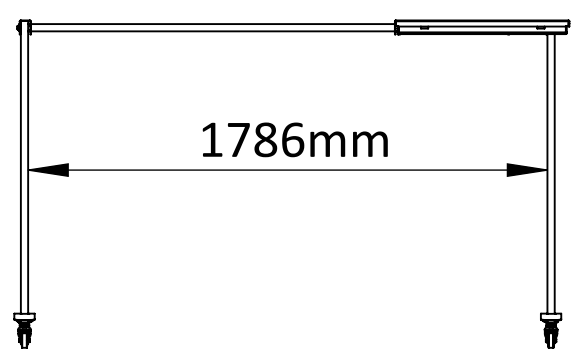


WT48-HIGH-STAND:

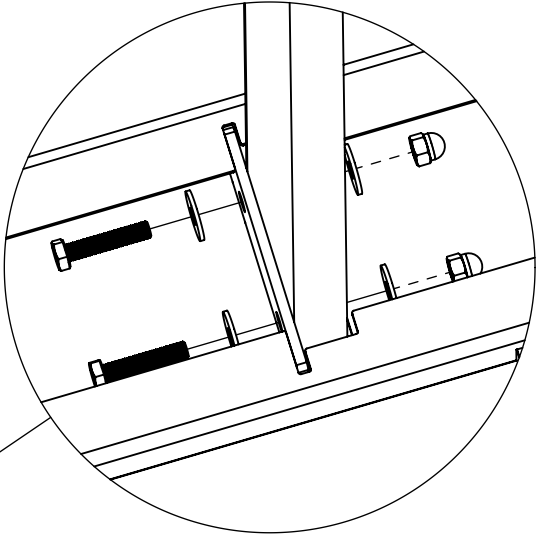
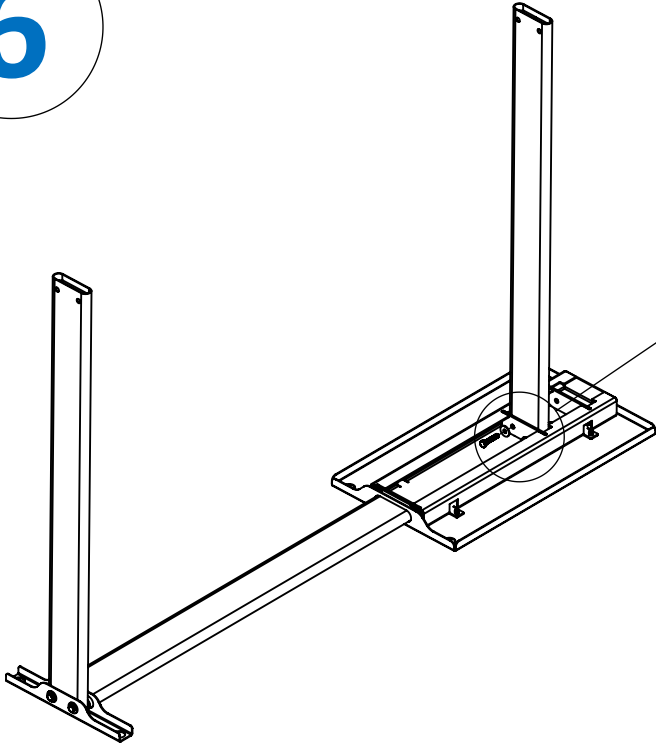
Printer < 1,60m / 63"

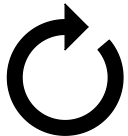


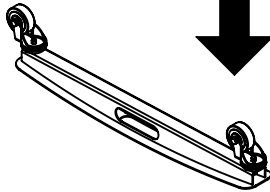
Printer < 1,75m / 69"



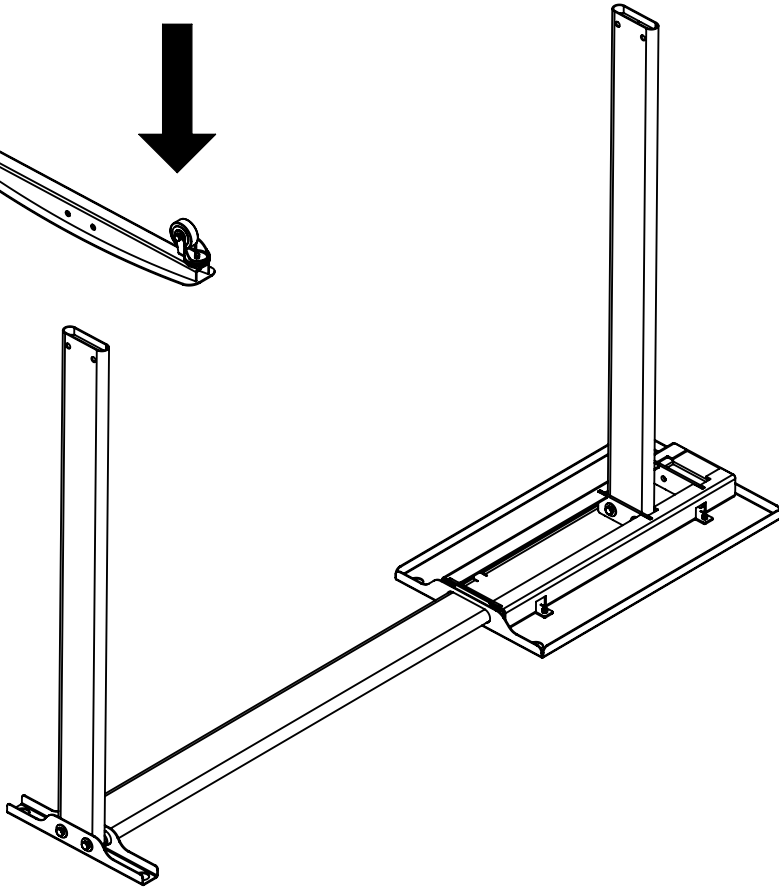
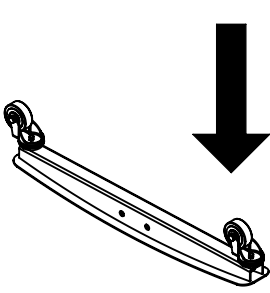
6



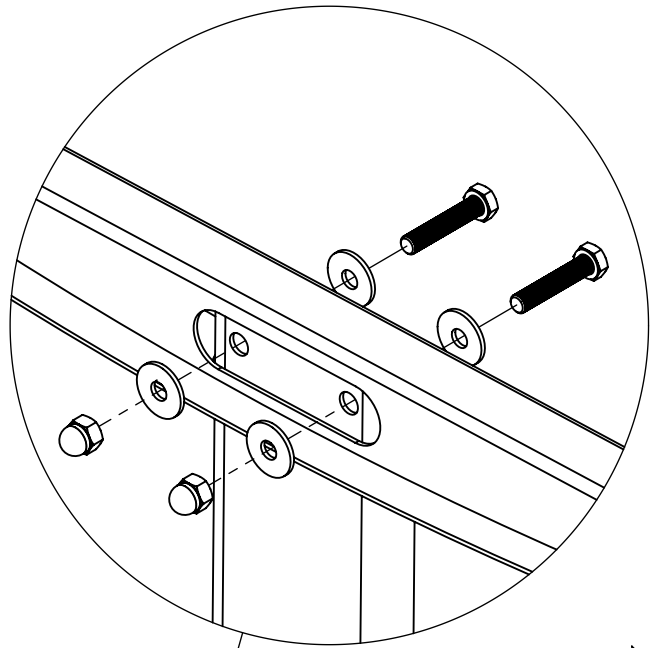
2x 



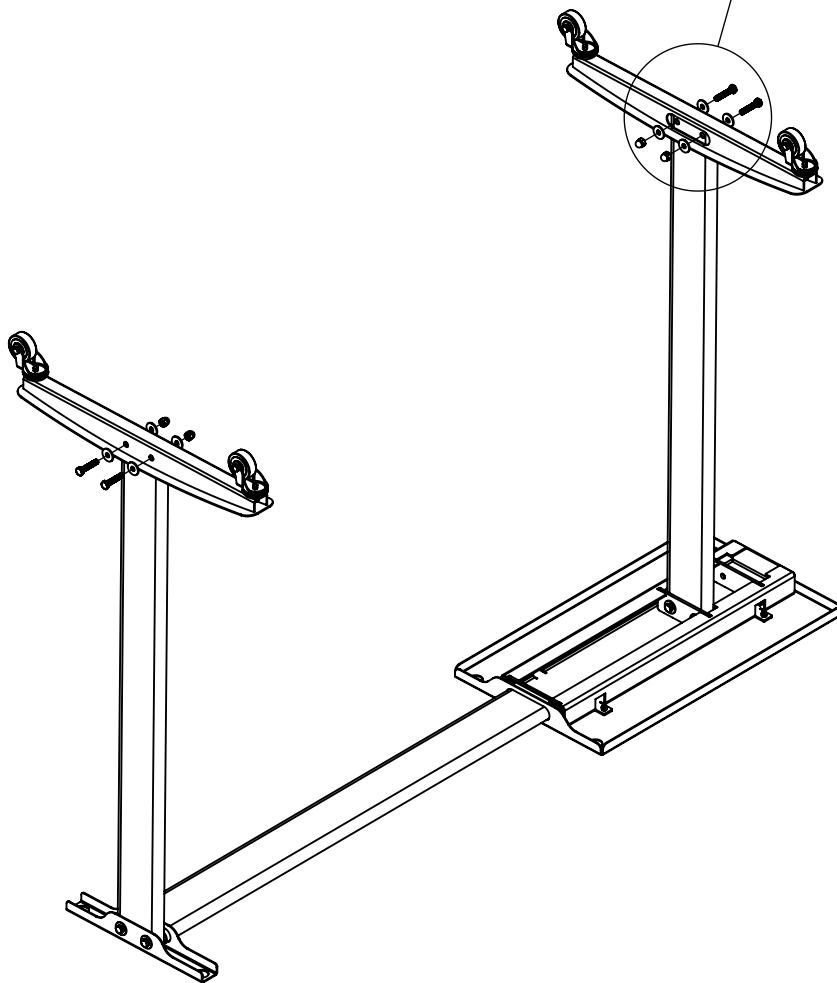
7

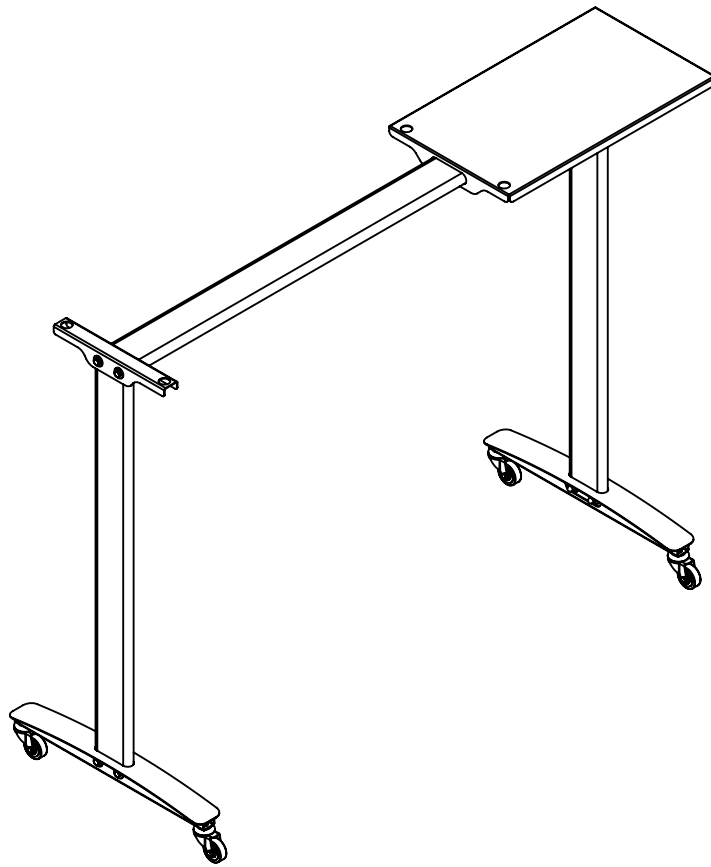


8

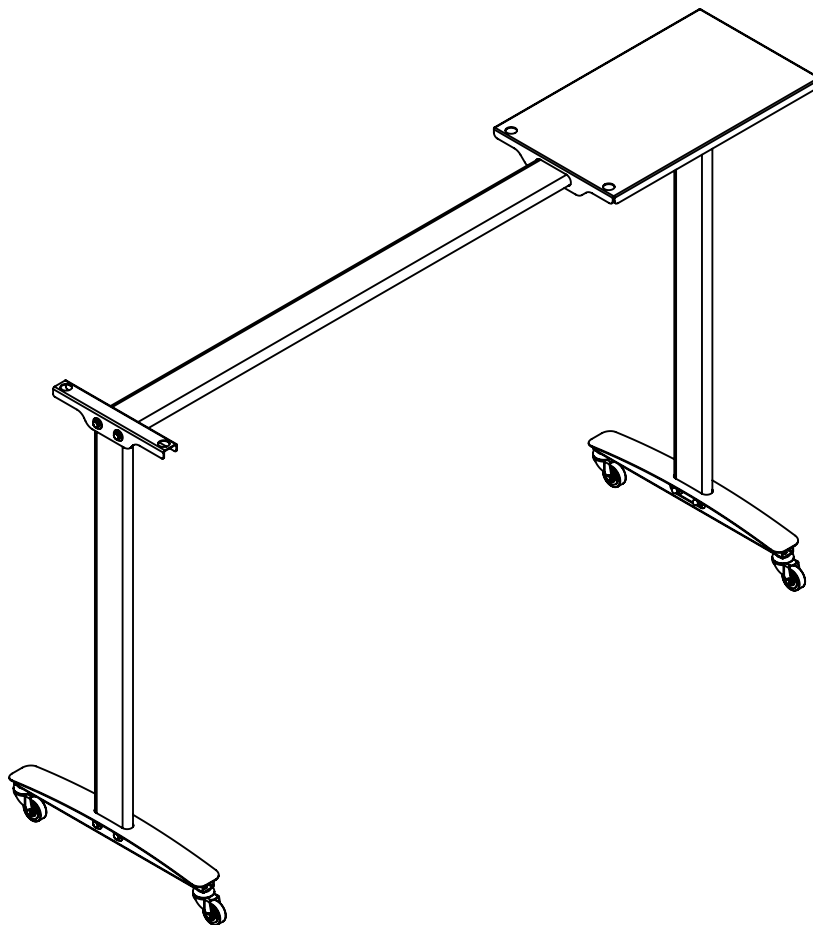


4x





WT36-HIGH-STAND



WT48-HIGH-STAND