

# WideTEK®

## Accessories

**36", 48" 60" Stand**

Ergonomic floorstands with  
adjustable paper catch

***Three different floorstands for all CCD  
and CIS WideTEK sheetfeed scanners.***



© 08-2019 / EN

## WideTEK Stand

The ergonomic WideTEK® floorstands come in 36", 48" and 60" widths. They support all CCD and CIS scanners of the appropriate width, including the WT36DS.

They are designed to carry much more weight than the weight of scanner alone and are also very sturdy. The height adjustable feet make it possible to balance the scanner on uneven surfaces.

The paper catch can be mounted at three different heights without a tool. In addition, the catch can be mounted off center to allow a greater input area in the back or in the front.



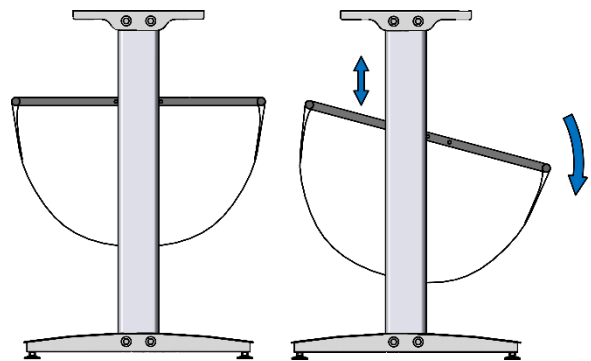
*WT36 Stand with paper catch*

## Features of the WideTEK Adjustable Stand

- WT36 STAND for WT36, WT36C, WT36CL, WT36DS
- WT48 STAND for WT48, WT48C, WT48CL
- WT60 STAND for WT60CL
- Flexible paper catch position
- Washable catch fabrics
- Adjustable feet
- Mounts very easily, only one screw size used. Tool included.



*Three stands for all WideTEK sheet feed scanners.*



*Catch is adjustable vertically and horizontally*

## TECHNICAL DATA

Dimensions WT36 STAND	(W/D/H) 1060/560/852 mm, 42/22/33.5 inch
Weight WT36 STAND	18 kg / 40 lbs.
Dimensions WT48 STAND	(W/D/H) 1370/560/852 mm, 54/22/33.5 inch
Weight WT48 STAND	20 kg / 44 lbs.
Dimensions WT60 STAND	(W/D/H) 1650/560/852 mm, 65/22/33.5 inch
Weight WT60 STAND	22 kg / 48.5 lbs.



IMAGE ACCESS GMBH

Hatzfelder Str. 161-163  
42281 Wuppertal, Germany  
Phone: +49 202 27058-0

[www.imageaccess.de](http://www.imageaccess.de)

IMAGE ACCESS LP

2511 Technology Drive, Suite 109  
Elgin, IL 60124, USA  
Phone: +1 (224) 293-2585

[www.imageaccess.us](http://www.imageaccess.us)